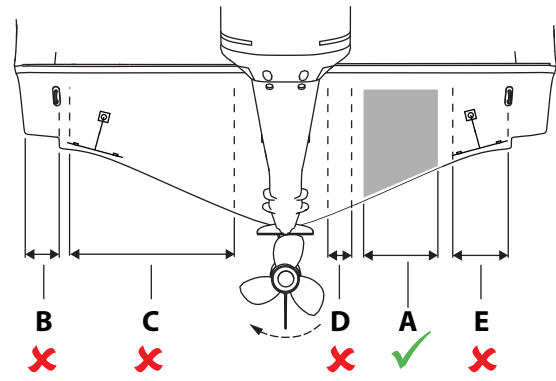


Mounting guidelines



Mirror the example if your boat has a counterclockwise propeller rotation.

Best mounting location:

A Undisturbed water flow

Avoid mounting:

B Behind planing strake

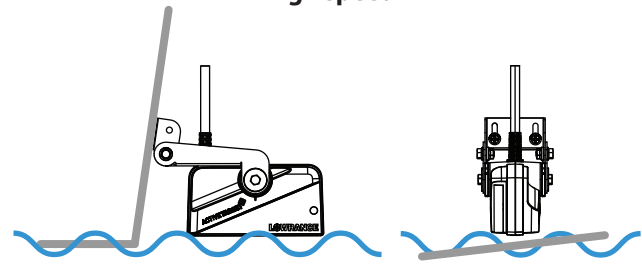
C 1 m (3.3') to port (left) of propeller

D Within 7.5 cm (3") to starboard of propeller

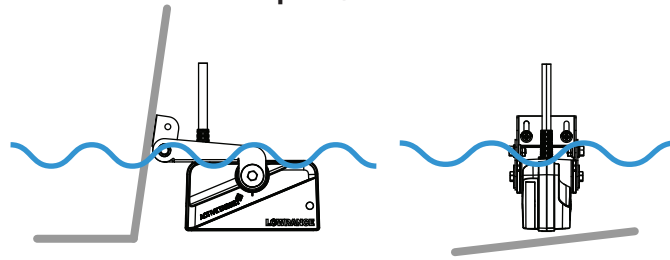
E Close to trim tabs

Mount the transducer so that it is fully submerged in low speeds and when in use. At high speeds the transducer should be out of the water as much as possible.

High speed



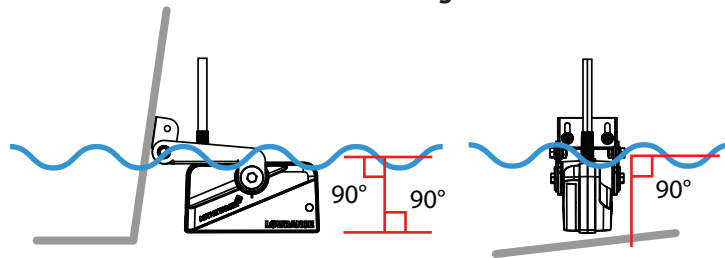
Low speed / Use mode



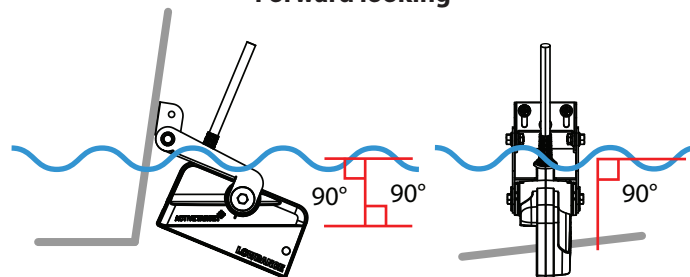
Mounting options

The transducer can be oriented in two different ways; down looking or forward looking.

Down looking

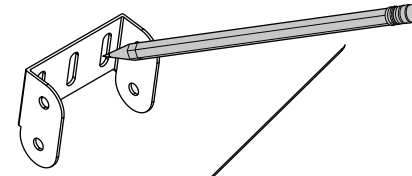


Forward looking

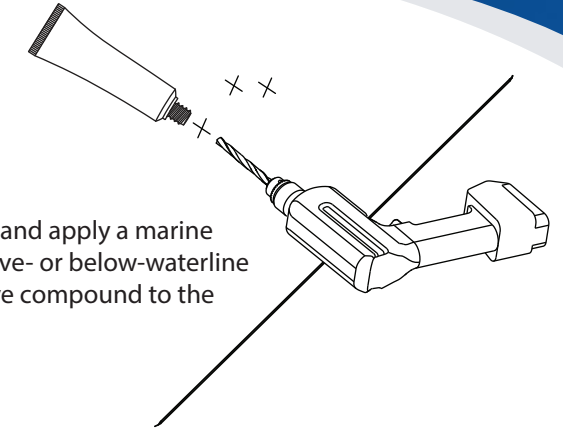


Mounting

1

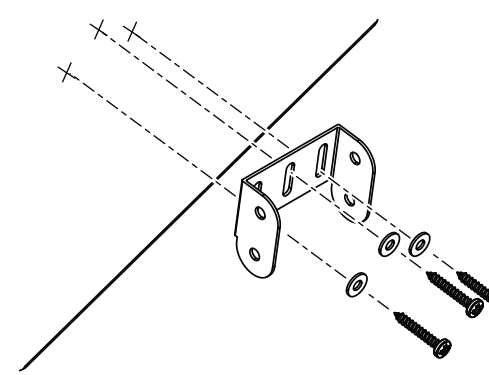


2

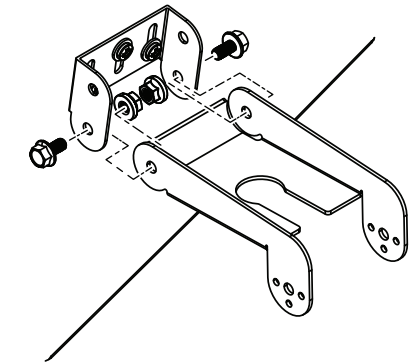


Drill pilot holes and apply a marine high-grade above- or below-waterline sealant/adhesive compound to the pilot holes.

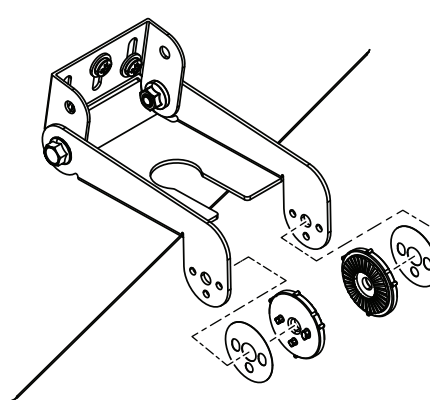
3



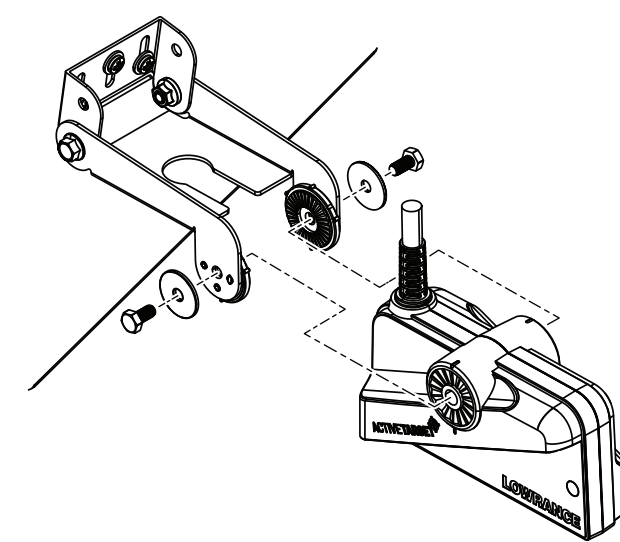
4



5



6



7

