

LOWRANCE

SIMRAD

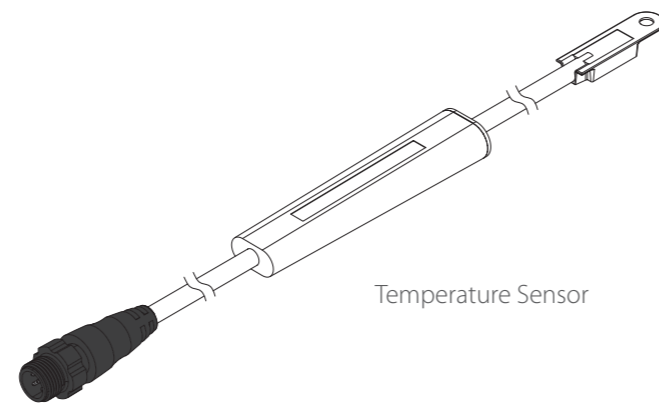
B&G

Temperature Sensor

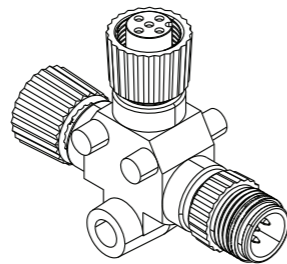
Installation Guide



What's in the box

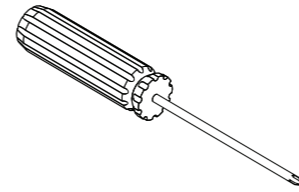


Temperature Sensor

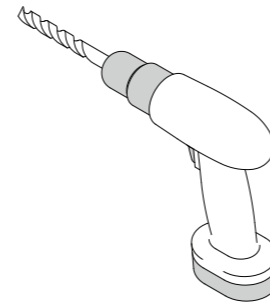


NMEA 2000 T-Joiner

Tools required



Screwdriver



Drill with 3 mm (1/8") and 19 mm (3/4") drill bit

Other parts required



1 #8 Stainless steel screw 19 mm (3/4") long

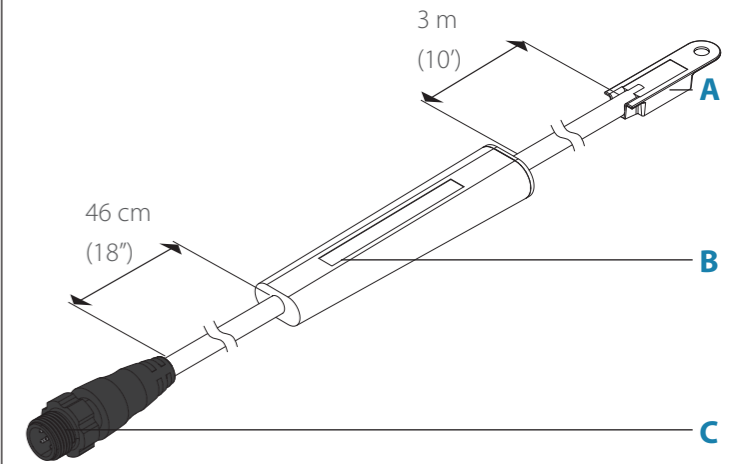


High quality marine grade above/below waterline caulking compound

Overview

The Temperature Sensor converts analog temperature data to NMEA 2000 data format.

⚠ You should read all of the installation instructions before proceeding. Decide where to install all components before drilling any holes in your vessel.

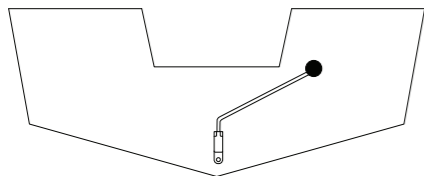


- A Temperature sensor
- B Processing unit
- C NMEA 2000 connector

Plan the installation

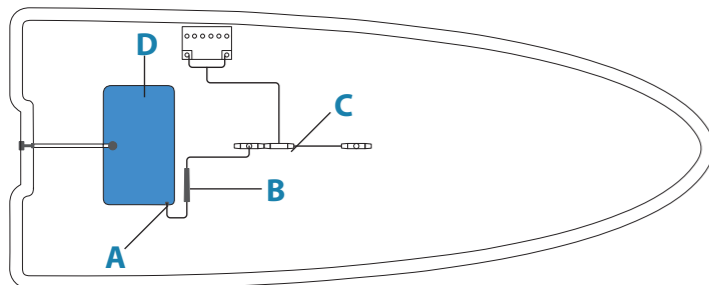
Example of installation

Transom view



The temperature sensor can be mounted in any location where you want temperature to be monitored. The most common applications are transom mounts — to measure surface water temperature — or in a livewell (when mounting in livewell, mount as far from pump as possible).

Livewell mount

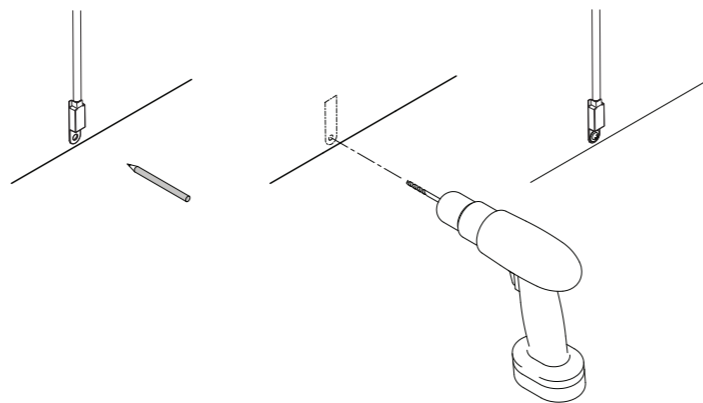


- A Temperature sensor
- B Processing unit
- C NMEA 2000 CAN bus backbone
- D Livewell

Install the Temperature Sensor

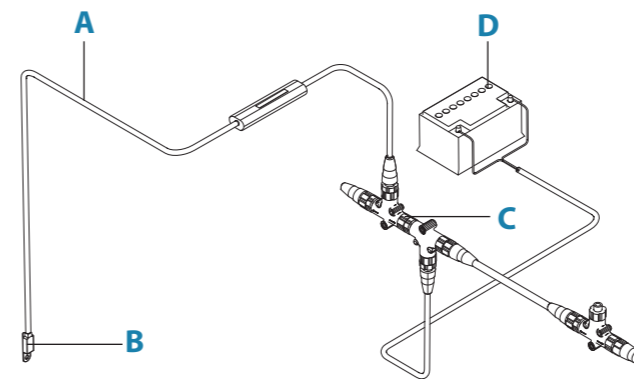
After determining the location, use the temperature sensor as a template and mark the hull for the screw's pilot hole. Route the Temperature sensor and cable to the mounting location. If routing through the transom, drill a 3/4" hole to accommodate the Temperature Module.

⚠ Make sure the Processing unit is inboard and not left exposed on the open transom.



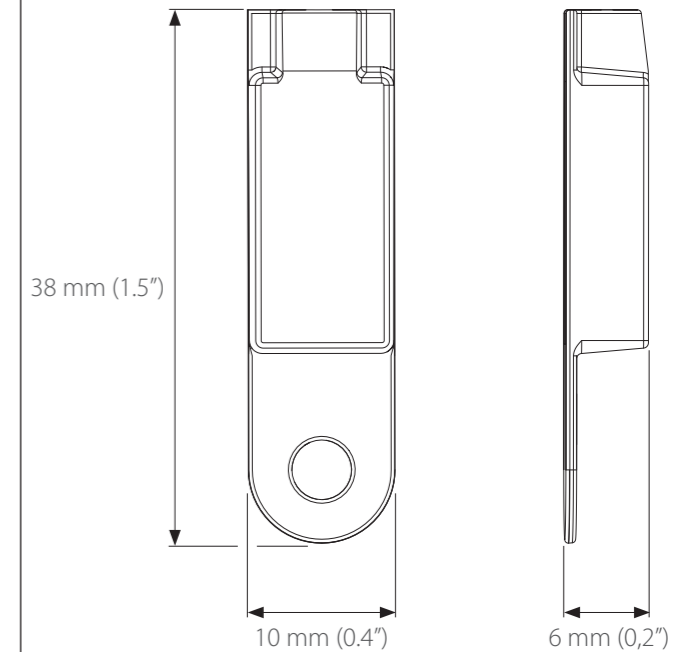
Attach the Temperature sensor to the hull with one #8 stainless steel screw and seal the screw (not included) with the below-waterline sealant compound.

Connect the Temperature Sensor to the network



- A Temperature sensor cable 3 m (10 ft)
- B Temperature Sensor
- C NMEA 2000 CAN bus backbone
- D 12 V DC Power supply. Connect via a switch and 5 amp fuse

Dimensions



Specifications

- Temperature Range between -20 and 80 degrees Celsius.
- PGNs transmitted
- 59392 – ISO Acknowledgment
- 60928 – ISO Address Claim
- 126996 – Product Information
- 65285 - Temperature with Instance