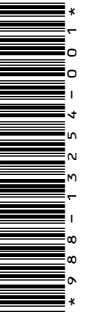
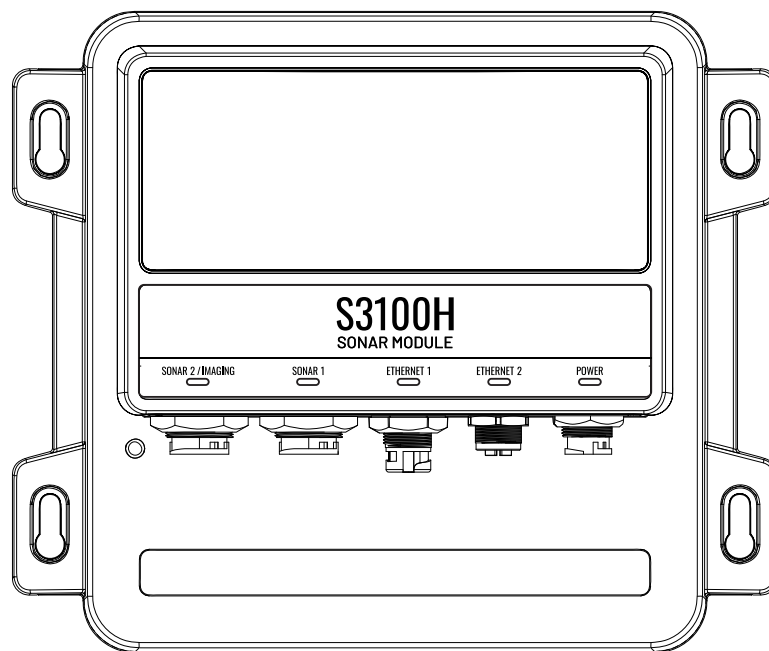


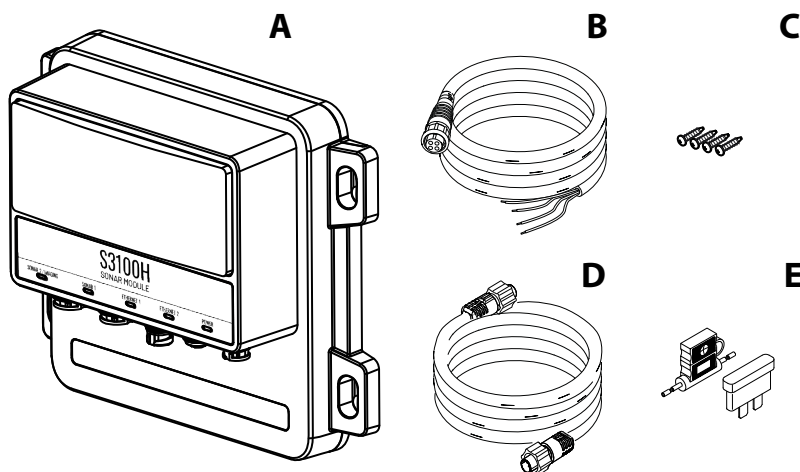
S3100H

Sonar Module

INSTALLATION GUIDE

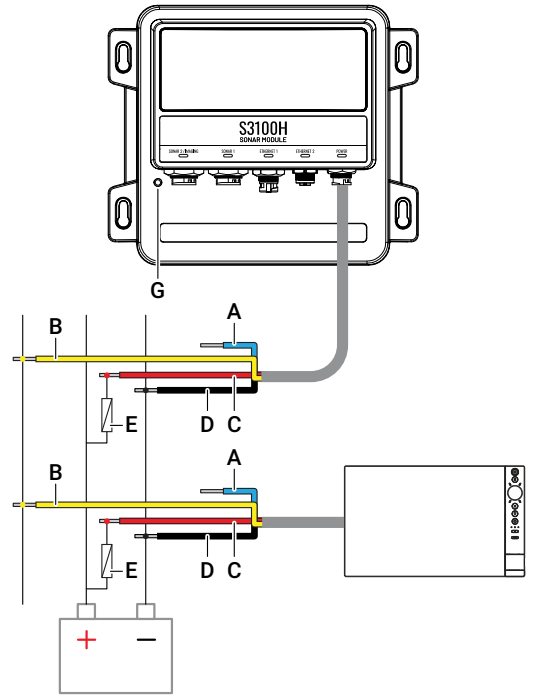
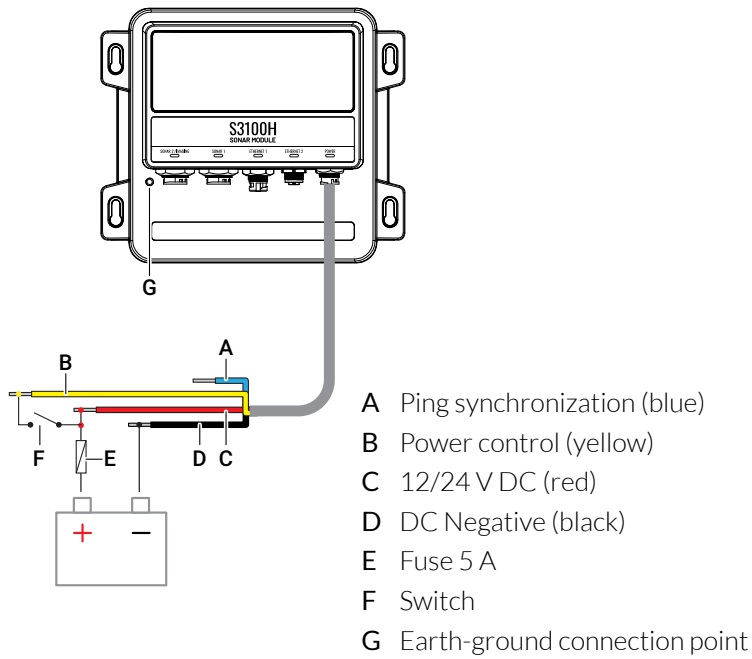
**EN**

In the box

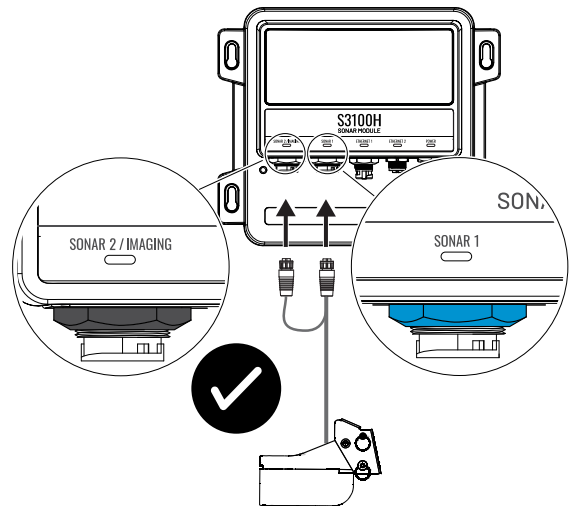
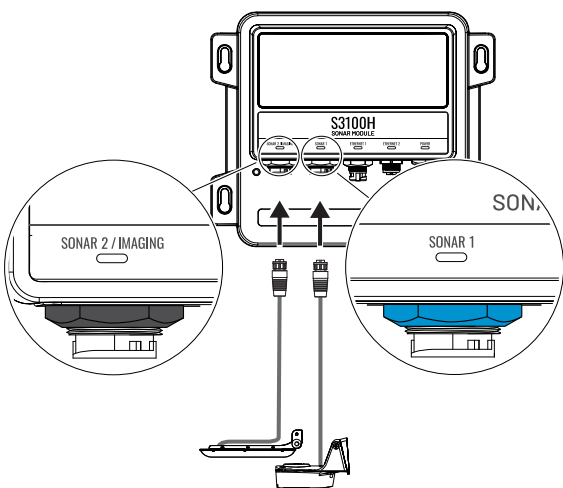


- A 1x S3100H sounder module
- B 1x power cable
- C 4x #8 x 3/4" SS Phillips self-tapping screws
- D 1x Ethernet cable (yellow, 5-pin)
- E 1x 5 A fuse and fuse holder

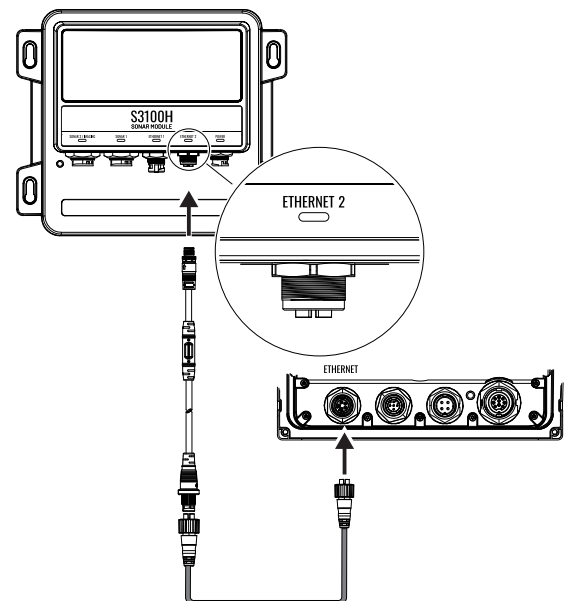
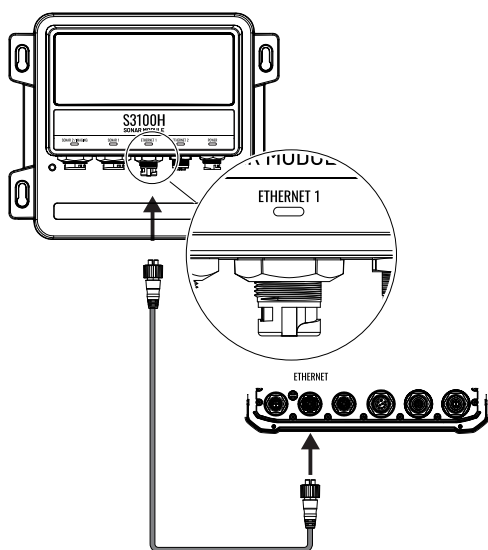
Power



Transducer

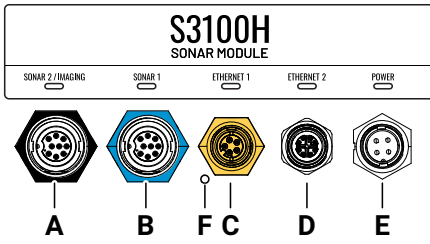


Ethernet



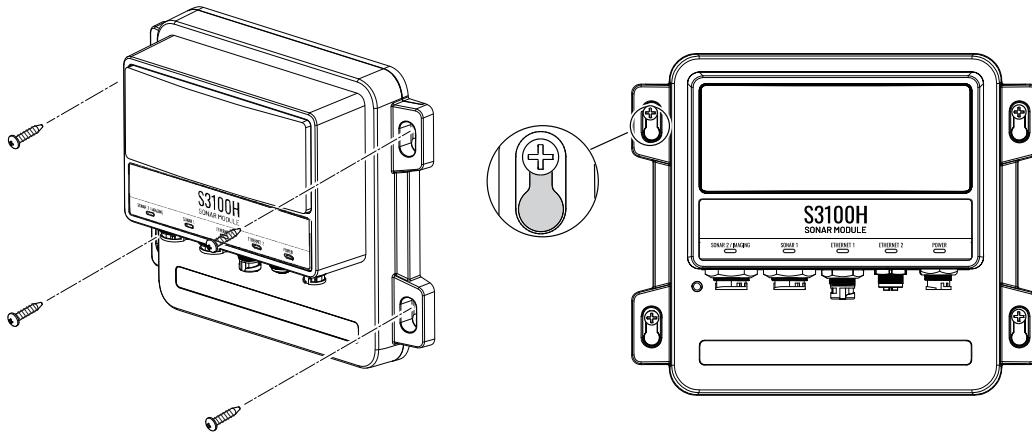
→ **Note:** Only one X-coded M12 GbE to yellow Ethernet adapter can be used between devices.

Connectors and LEDs

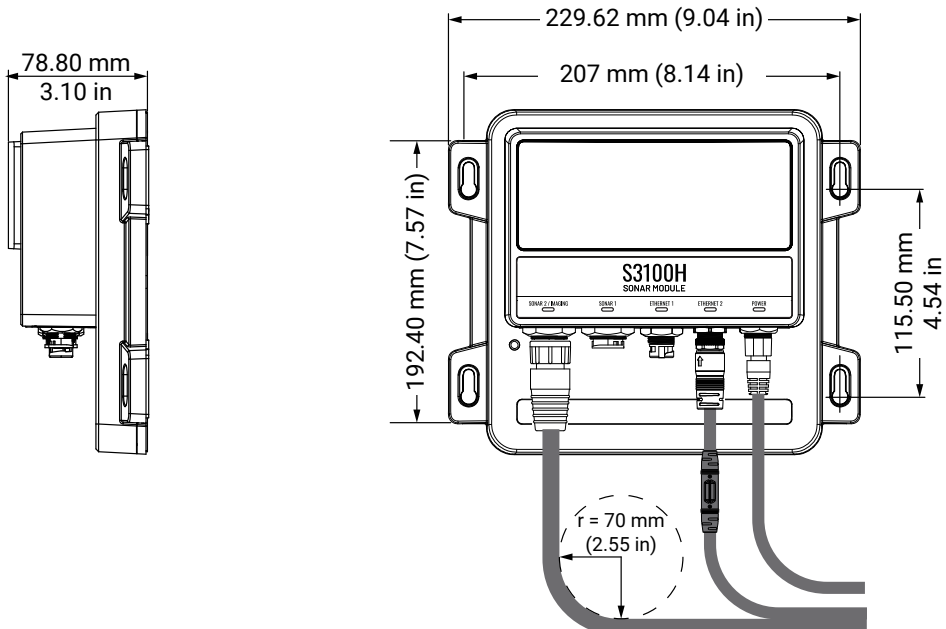


Connector	LED	Status	
A	Sonar 2/ Imaging (black)	Off	Sounder not operating
		Flashing - green	Searching for bottom signal
		On	System operating with bottom signal
B	Sonar 1 (blue)	Off	Sounder not operating
		Flashing - green	Searching for bottom signal
		On	System operating with bottom signal
C	Ethernet 1 (yellow Ethernet)	Off	No connection
		On - green	Valid connection without data transfer
		Flashing - green and orange	Active connection with data transfer
D	Ethernet 2 (GbE)	Off	No connection
		On - green	Valid connection without data transfer
		Flashing - green and orange	Active connection with data transfer
E	Power	Off	No power
		On - dim red	Power applied, system is powered off or overvoltage
		On - red	System booting
		On - green	System operating
F	Heave sensor - Do not cover		

Mounting



Dimensions



Technical specifications

Environmental			
Operating temperature	-15° C to 55° C (5° F to 131° F)		
Storage temperature	-20° C to 60° C (4° F to 140° F)		
Waterproof rating	IPX6 and IPX7		
Electrical			
Supply voltage	12 - 24 V DC (10.5 - 31.2 V DC)		
Recommended fuse rating	5 A		
Reverse polarity protection	Yes		
Power consumption (maximum)	Max: 0.8 A; Typical: 0.6 A; Inrush: 3 A pk; >2.5 A for < 0.5 ms		
Physical			
Dimensions	See mounting template		
Weight	0.9 kg (1.9 lbs)		
Compass safe distance	0.13 m (5.1 in)		
Interface/connectivity			
Sonar	1 port sonar 9-pin X Sonic® (blue)	Sonar	Low, Medium, and High CHIRP up to 1 kW RMS
		DownScan	455 kHz, 800 kHz, 700 kHz CHIRP, 1200 kHz CHIRP
		SideScan	No
	1 port imaging 9-pin X Sonic® (black)	Sonar	Low, Medium, and High CHIRP up to 1 kW RMS
		DownScan	455 kHz, 800 kHz, 700 kHz CHIRP, 1200 kHz CHIRP
		SideScan	455 kHz, 800 kHz, 455 kHz CHIRP, 1075 kHz CHIRP
Ethernet	1 port (yellow, 5-pin)		
	1 port (X-Coded M12 GbE)		

For full compatibility, we recommend the following multi-function display software versions:

- Simrad® NSS evo3™, NSS evo3S™, NSO evo3™, NSO evo3S™ (software version 25.X or higher)
- Simrad® NSX® (software version 2.1 or higher)
- Simrad® NSS 4 (software version 2.0 or higher)
- B&G® Zeus® 3, Zeus® 3S, Zeus® Glass Helm (software version 25.X or higher)
- B&G® Zeus® S (software version 2.1 or higher)
- B&G® Zeus® SR (software version 2.0 or higher)
- Lowrance® HDS® Pro, HDS® Live, HDS® Carbon, Elite FS® (software version 25.X or higher)

The future of our waters matters. That's why the S3100H sonar module is manufactured using recycled plastics, as part of our ongoing commitment to sustainability.

More information

For the latest version of this document in supported languages and other related documentation, visit www.simrad-yachting.com/downloads, www.lowrance.com/downloads or www.bandg.com/downloads.

Safety, disclaimer, and compliance

This product's safety, disclaimer, and compliance statements are supplied as a separate document.

Warranty

This product's warranty is supplied as a separate document.

Copyright

© 2025 Navico Group. All Rights Reserved. Navico Group is a division of Brunswick Corporation.

Trademarks

®Reg. U.S. Pat. & Tm. Off. and ™ common law marks.

Visit www.navico.com/intellectual-property to review the global trademark rights and accreditations for Navico Group and other entities.