

## H2000 INSTRUMENT SYSTEM PACKS

Part Number	Type	Description	List Price
HE-SYST-2		<b>Hercules 2000 Grand Prix Pack</b> <i>Includes:</i> <b>Alarm:</b> H2000 Sonalert <b>Cable:</b> Power, H, 3m <b>Cable:</b> NMEA, H, 2 cond, 4m <b>Cable:</b> RS232 I/O, 9 Pin, 3m <b>Cable:</b> Fastnet, H20000, 10m <b>Terminator:</b> H System, 2 ea. <b>Junction Box:</b> 7 Terminal <b>Display:</b> H2000, Standard FFD <b>Hercules Main Processor</b> <b>Dispatch Kit:</b> Hercules 2000 <b>Bezel:</b> Hercules 2000 FFD <b>Processor:</b> Performance, H2000 <b>Installers Document Pack</b>	\$9,248.00
HE-SYST-1		<b>Hercules Race Base Pack</b> <i>Includes:</i> <b>Alarm:</b> H2000 Sonalert <b>Hercules Main Processor</b> <b>Bezel:</b> Hercules 2000 FFD <b>Junction Box:</b> 18 Terminal <b>Terminator:</b> H System, 2 ea. <b>Display:</b> H2000, NMEA FFD <b>Cable:</b> Power, H, 3m <b>Cable:</b> Fastnet, H2000, 10m <b>Dispatch Kit:</b> Hercules 2000 <b>Installers Document Pack</b>	\$4,628.00

Phone: 800-426-5565 Fax: 425-712-1173

All sales are subject to Simrad's Terms and Conditions of Sale

## H2000 INSTRUMENT SYSTEM PACKS (Con't)

Part Number	Type	Description	List Price
HY-SYST-2		<b>Hydra 2000 Navigator Pack</b> <i>Includes:</i> 130-00-045 <b>Alarm:</b> H2000 Sonalert 135-0A-096 <b>Cable:</b> Power, H, 3m 135-0A-098 <b>Cable:</b> NMEA, H, 2 cond, 4m 135-0A-160 <b>Cable:</b> FastNet, H2000, 10m 135-0A-130 <b>Cable:</b> RS232 I/O, 9 Pin, 3m 239-00-099 <b>Terminator:</b> H System, 2 ea. 288-00-001 <b>Junction Box :</b> 7 Terminal 240-00-026 <b>Display:</b> H2000, Standard FFD 330-00-005 <b>Processor:</b> Hydra 2000 890-10-013 <b>Dispatch Kit:</b> Hydra 2000 240-00-035 <b>Bezel:</b> Hydra 2000 FFD 890-00-042 <b>Processor:</b> Performance, H2000 240-30-054 <b>Installers Document Pack</b>	\$7,884.00
HY-SYST-1		<b>Hydra 2000 Cruise Pack</b> <i>Includes:</i> 130-00-045 <b>Alarm:</b> H2000 Sonalert 330-00-005 <b>Processor:</b> Hydra 2000 240-00-035 <b>Bezel:</b> Hydra 2000 FFD 386-00-023 <b>Junction Box:</b> 18 Terminal 239-00-099 <b>Terminator:</b> H System, 2 ea. 240-00-028 <b>Display:</b> H2000, NMEA FFD 135-0A-096 <b>Cable:</b> Power, H, 3m 135-0A-130 <b>Cable:</b> Fastnet, H2000, 10m 240-10-062 <b>Dispatch Kit:</b> Hydra 2000 240-30-054 <b>Installers Document Pack</b>	\$3,264.00

Phone: 800-426-5565 Fax: 425-712-1173

All sales are subject to Simrad's Terms and Conditions of Sale

## PERFORMANCE PRODUCTS

### Software

Part Number	Description	List Price
BGH140001	<b>Deckman for Windows v7 (C-Map)</b>	\$1,599.00
BGH140002	<b>Deckman for Windows v7 Euronav with USB dongle.</b>	\$1,495.00
BGH140003	<b>Deckman for Windows v7 Euronav with parallel dongle.</b>	\$1,495.00
BGH140010	<b>Deckman v6 to v7 upgrade (C-Map)</b>	\$950.00
BGH140011	<b>Deckman v5 to v7 upgrade (C-Map)</b>	\$750.00
BGH140012	<b>Deckman v4 to v7 upgrade (C-Map)</b>	\$450.00
BGH140020	<b>GRIB Weather Module</b>	\$625.00
BGH140021	<b>Deckman GRIB Module v4/5/6 to v7 upgrade</b>	\$475.00
BGH140025	<b>Deckman Laser Range Finder Module</b>	\$825.00
BGH140026	<b>Deckman Two Boat Telemetry Module</b>	\$825.00
BGH140027	<b>Deckman TTReporter Add-In</b>	\$825.00

### RaceVision

Part Number	Description	List Price
BGH160001	<b>RaceVision2 System Pack:</b> Includes Race Vision2 Tablet PC, Wireless port/on-board charger, 15m on deck charge lead, AC charge lead, USB/Power adapter lead, Microsoft Windows XP (Tablet PC addition), Deckman for Windows (RaceVision2 addition).	\$14,999.00
BGH161003	<b>Wireless Port (J-Box assy.)</b>	\$1,220.00
BGH161004	<b>Pen Elect w/proof c/w Tether</b>	\$85.00
BGH163003	<b>15M RV2 Charging Cable assy.</b>	\$165.00
BGH164006	<b>Blanking Plug – Charge Cable</b>	\$25.00
BGH164003	<b>Battery</b>	\$365.00

### WTP2 - Wave Technology Processor

Part Number	Description	List Price
BGH190000	<b>WTP2 Processor Pack</b>	\$13,675.00
BGH191001	<b>WTP2 Processor Unit</b>	\$11,135.00
BGH182002	<b>WTP Rate-Gyro Unit</b>	\$2,250.00
BGH181002	<b>WTP 16 Channel Analog Upgrade</b>	\$1,975.00

Phone: 800-426-5565 Fax: 425-712-1173

All sales are subject to Simrad's Terms and Conditions of Sale

## H2000 INSTRUMENT KIT COMPONENTS & SERVICE PARTS

### Alarm

Part Number	Description	List Price
130-00-045	H2000 Sonalert - Alarm,	\$75.00

### FastNet Standard Cable

Part Number	Description	List Price
135-0A-130	10m 4-Core screened twisted pair FastNet Data Cable	\$102.00
135-0A-170	2m 4-Core screened twisted pair FastNet Data Cable	\$16.00
135-0B-130	20m 4-Core screened twisted pair FastNet Data Cable	\$201.00

### FastNet Custom Cable

Part Number	Description	List Price
047-03333/100M	100m 4-Core screened twisted pair cable FastNet Cable	\$593.00
047-03333/200M	200m 4-Core screened twisted pair cable FastNet Cable	\$1,185.00
047-03333/50M	50m 4-Core screened twisted pair cable FastNet Cable	\$298.00

### Junction Boxes

Part Number	Description	List Price
386-00-023	18 Terminal, Junction Box	\$59.00
288-00-001	7 Terminal, Junction Box	\$47.00

### NMEA Cable

Part Number	Description	List Price
135-0A-098	4m Cable, NMEA 2-Core screened	\$39.00
135-0B-098	8m Cable, NMEA 2-Core screened	\$64.00

### Power Cable

Part Number	Description	List Price
135-0A-096	Power Supply Cable 3m-0.5mm <sup>2</sup> , 2-core	\$19.00
135-0B-096	Power Supply Cable 15m-0.5mm <sup>2</sup> , 2-	\$39.00
135-0C-096	Power Supply Cable 9m-0.5mm <sup>2</sup> , 2-core	\$28.00

Phone: 800-426-5565 Fax: 425-712-1173

All sales are subject to Simrad's Terms and Conditions of Sale

## H2000 Instrument Kit Components & Service Parts (CON'T)

### Bulk Cable

Part Number		Description	List Price
047-00794/100M		100m 2-Core screened cable Depth, Power, NMEA	\$264.00
047-00802/50M		50m 6-Core screened Paddlewheel cable Depth, Power, NMEA	\$181.00

### Processors

Part Number		Description	List Price
BGH130001		H2000 Main Processor MP Enhanced	\$2,923.00
330-00-005		Hydra Main Processor	\$1,559.00
890-00-042		Hercules 2000 Performance Processor	\$4,677.00

### Processor Boards

Part Number		Description	List Price
690-10-013		Hercules Performance PCB	\$2,881.00
340-00-009		Expansion Processor	\$854.00
405-00-001		Hydra Main Processor PCB Complete	\$1,077.00
405-00-002		Hercules Main Processor PCB Complete	\$2,181.00
405-10-011		H2000 I/O Spare PCB	\$696.00
405-10-012		Hydra Main Processor PCB CPU	\$348.00
405-10-013		Hercules Main Processor PCB CPU	\$1,467.00

### RS232 Cable

Part Number		Description	List Price
135-0A-160		Hercules RS232 Cable	\$83.00

### System Terminator

Part Number		Description	List Price
239-00-099		Terminator: H System, 2 ea.	\$13.00

### User and Installation Manuals

Part Number		Description	List Price
890-10-013		Dispatch Kit: Hercules 2000	\$51.00
240-10-062		Dispatch Kit: Hydra 2000	\$51.00
240-30-054		Installers Document Pack	\$15.00

Phone: 800-426-5565 Fax: 425-712-1173

All sales are subject to Simrad's Terms and Conditions of Sale

# H2000 DISPLAY PACKS

## Remotevision Display

Part Number	Description	List Price
BGH120000	<b>Remote Vision Pack:</b> Includes Base Station	\$1,763.00

## 4040 Display Pack

Part Number	Description	List Price
BGH080001	<b>40/40 Display Pack</b>	\$5,104.00

## Hercules Digital Display Packs

(Includes Display, Bezel, FastNet Cable 10m and J-Box)

Part Number	Description	List Price
HE-FFD-NM	<b>Hercules 2000 NMEA Display Pack</b>	\$1,555.00
HE-FFD-PK	<b>Hercules 2000 FFD Display Pack</b>	\$1,358.00
HE-2020-RED	<b>Hercules 2020 Red Display Pack</b>	\$1,709.00
HE-2020-RED/S	<b>Hercules 2020 Red Display Pack w/ Switch</b>	\$1,868.00
HE-2020-RED/SB	<b>Hercules 2020 Red Display Pack w/ Switch &amp; Bracket</b>	\$2,010.00
HE-2020-GRN	<b>Hercules 2020 Green Display Pack</b>	\$1,709.00
HE-2020-GRN/S	<b>Hercules 2020 Green Display Pack w/ Switch</b>	\$1,868.00
HE-2020-GRN/SB	<b>Hercules 2020 Green Display Pack w/ Switch &amp; Bracket</b>	\$2,010.00

## Hydra Digital Display Packs

(Includes Display, Bezel, FastNet Cable 10m and J-Box)

Part Number	Description	List Price
HY-FFD-NM	<b>Hydra 2000 NMEA Display Pack</b>	\$1,555.00
HY-FFD-PK	<b>Hydra 2000 FFD Display Pack</b>	\$1,358.00
HY-2020-RED	<b>Hydra 2020 Red Display Pack</b>	\$1,709.00
HY-2020-RED/S	<b>Hydra 2020 Red Display Pack w/ Switch</b>	\$1,868.00
HY-2020-RED/SB	<b>Hydra 2020 Red Display Pack w/ Switch &amp; Bracket</b>	\$2,010.00
HY-2020-GRN	<b>Hydra 2020 Green Display Pack</b>	\$1,709.00
HY-2020-GRN/S	<b>Hydra 2020 Green Display Pack w/ Switch</b>	\$1,868.00
HY-2020-GRN/SB	<b>Hydra 2020 Green Display Pack w/ Switch &amp; Bracket</b>	\$2,010.00

Phone: 800-426-5565 Fax: 425-712-1173

All sales are subject to Simrad's Terms and Conditions of Sale

# Hydra Digital Display Packs (Con't)

## Analog Display Packs

(Includes Display and Analog Cable 19m)

Part Number	Description	List Price
215-4401-016	<b>Apparent Wind Angle</b> Analog Pack (synchro)	\$726.00
215-4401-017	<b>Magnified Wind Angle</b> Analog Pack (synchro)	\$726.00
215-4401-019	<b>12.5 Kt Boat Speed</b> Analog Pack (synchro)	\$726.00
215-4401-022	<b>50 Kt Wind Speed</b> Analog Pack (synchro)	\$726.00
215-4401-025	<b>200m Depth</b> Analog Pack (synchro)	\$726.00
215-4401-026	<b>Feet/Fathoms Depth</b> Analog Pack (synchro)	\$726.00
215-4401-058	<b>25 Kt Boat Speed</b> Analog Pack (synchro)	\$726.00
215-4401-084	<b>Wind Speed 100Kt</b> Analog Pack	\$726.00
215-4401-119	<b>Cross Track Error (XTE)</b> Analog Pack (synchro)	\$726.00
215-4401-142	<b>Moving Card Compass</b> Analog Pack (synchro)	\$726.00
215-4401-151	<b>Off Course Indicator</b> Analog Pack (synchro)	\$726.00
215-4401-152	<b>Trend Indicator</b> Analog Pack (synchro)	\$726.00
215-4401-154	<b>50 Kt Boat Speed</b> Analog Pack (synchro)	\$726.00
215-4401-158	<b>Rudder Angle</b> Analog Pack (synchro)	\$726.00
215-4401-160	<b>Heel Angle</b> Analog Pack (synchro)	\$726.00

## Bracket

Part Number	Description	List Price
332-00-006	<b>2020/FFD/Halcyon Mast Bracket</b>	\$142.00

## Cover

Part Number	Description	List Price
239-20-031	<b>Full Function</b> Display Cover	\$30.00

## PODS

Part Number	Description	List Price
239-00-072	<b>Surface Mount Box</b> (FFD, 20/20, Halcyon, H-Pilot)	\$43.00
239-00-074	<b>Adjustable Mounting Bracket</b> (FFD, 20/20, Halcyon, H-Pilot)	\$142.00

Phone: 800-426-5565 Fax: 425-712-1173

All sales are subject to Simrad's Terms and Conditions of Sale

## H2000 DISPLAY KIT COMPONENTS & SERVICE PARTS

### Remotevision Wireless Handheld Display

Part Number	Description	List Price
BGH120000-KIT	<b>RaceVision Kit:</b> Includes Base Station, Control Unit, Lanyard and Holster.	\$1763.00

### 4040 Display

Part Number	Description	List Price
BGH081001	<b>Display Only 4040</b>	\$4,785.00
BGH083005	<b>Display Cover 4040</b>	\$74.00
BGH083006	<b>Power Supply 4040</b>	\$245.00

### H2000 FFD Displays

Part Number	Description	List Price
240-00-026	<b>H2000 Non-NMEA FFD (No Bezel)</b>	\$1,169.00
240-00-028	<b>H2000 NMEA FFD (No Bezel)</b>	\$1,315.00

### H2000 FFD Bezels

Part Number	Description	List Price
890-00-017	<b>Hercules 2000 FFD Bezel</b>	\$42.00
240-00-035	<b>Hydra 2000 FFD Bezel</b>	\$42.00

### H2000 2020 Displays

Part Number	Description	List Price
332-00-004	<b>H2000 2020 Display (Red Backlight)</b>	\$1,520.00
332-00-026	<b>H2000 2020 Display (Green Backlight)</b>	\$1,520.00

### H2000 2020 Bezels

Part Number	Description	List Price
890-00-037	<b>Hercules 2020 Display Bezel</b>	\$42.00
332-00-005	<b>Hydra 2020 Display Bezel</b>	\$42.00

Phone: 800-426-5565 Fax: 425-712-1173

All sales are subject to Simrad's Terms and Conditions of Sale



## H2000 DISPLAY KIT COMPONENTS & SERVICE PARTS (Con't)

### Analog Displays

Part Number	Description	List Price
215-HL-016	360° Wind Angle Analog (synchro)	\$632.00
215-HL-017	Magnified Wind Angle Analog (synchro)	\$632.00
215-HL-019	12.5 Kt Boat Speed Analog (synchro)	\$632.00
215-HL-022	50 Kt Wind Speed Analog (synchro)	\$632.00
215-HL-025	200m Depth Analog (synchro)	\$632.00
215-HL-026	100ft/fathoms Depth Analog (synchro)	\$632.00
215-HL-058	25 Kt Boat Speed Analog (synchro)	\$632.00
215-HL-084	100 Knot Beaufot Pac Analog synchro)	\$632.00
215-HL-119	Cross Track Error (XTE) Analog (synchro)	\$632.00
215-HL-142	Moving Card Compass Analog (synchro)	\$632.00
215-HL-151	Off Course Indicator Analog (synchro)	\$632.00
215-HL-152	Trend Indicator Analog (synchro)	\$632.00
215-HL-154	50 Kt Boat Speed Analog (synchro)	\$632.00
215-HL-158	Rudder Angle Analog (synchro)	\$632.00
215-HL-160	Heel Angle Analog (synchro)	\$632.00

### Analog Standard Cable

Part Number	Description	List Price
135-0A-095	19m, 7-Core cable (Analog)	\$95.00

### Analog Custom Cable

Part Number	Description	List Price
047-00803/200M	200m, 7-Core cable (Analog)	\$594.00
047-00803/50M	50m, 7-Core cable (Analog)	\$169.00

### Switch

Part Number	Description	List Price
302-00-007	Switch, Red Pushbutton.	\$159.00

Phone: 800-426-5565 Fax: 425-712-1173

All sales are subject to Simrad's Terms and Conditions of Sale

## H2000 SENSOR PACKS H2000 Wind Packs

**(Includes Masthead Unit, Mast. Cable, Extension Cable and J-Box)**

Part Number	Description	List Price
BGH030000	Pack- 213 Standard Masthead Unit	\$1,590.00
BGH030001	Pack 810mm (32")- 213 Vertical Masthead Unit -	\$1,938.00
BGH030002	Pack 1050mm (42")- 213 Vertical Masthead Unit	\$2,230.00
BGH030003	Pack 1450mm (57")- 213 Vertical Masthead Unit	\$2,523.00
BGH030008	Top Mounting Bracket- 213 Vertical Masthead Unit	\$155.00
BGH030009	Face Mounting Bracket- 213 Vertical Masthead Unit	\$155.00

### Load Cell Sensors – Packs Includes Digital Amplifier

Part Number	Description	List Price
BGH040001	12.7mm (1/2") Pack - Loadcell	\$2,778.00
BGH040002	16mm (5/8") Pack - Loadcell	\$2,875.00
BGH040003	19mm (3/4") Pack - Loadcell	\$2,973.00
BGH040004	23mm (7/8") Pack - Loadcell	\$3,070.00
BGH040005	25.4mm (1") Pack - Loadcell	\$3,168.00
BGH040006	28.5mm (1 1/8") Pack - Loadcell	\$3,752.00
BGH040007	32mm ( 1 1/4") Pack - Loadcell	\$3,947.00

### Meteorological Sensors

Part Number	Description	List Price
224-00-065	Sea Temperatrure Sensor	\$357.00
224-00-066	Air Temperature Sensor	\$396.00
224-00-210	Sea Temperature Sensor Bronze Thru-Hull	\$191.00
690-00-004	Clinometer Sensor (Heel or Trim)	\$740.00
690-00-007	Barometric Pressure Sensor	\$686.00

### Compass

Part Number	Description	List Price
BGH060001	Halcyon Gyro-Stabilized Compass System–Kit includes: Halcyon Gyro Compass & Processor Pack	\$3,433.00
BGH060002	Halcyon Gyro-Stablized Compass Sensor Unit Only (For Direct Input into Enhanced Pilot Processor – BGH0636001 Cable Required)	\$2,041.00
486-00-009	Halcyon 2000 Compass Sensor	\$857.00

Phone: 800-426-5565 Fax: 425-712-1173

All sales are subject to Simrad's Terms and Conditions of Sale

# MASTHEAD UNIT KIT COMPONENTS & SERVICE PARTS

## Masthead Units

Part Number	Description	List Price
213-00-002	Standard Version - 213 Masthead Unit	\$1,126.00
BGH031001	810mm (32") - 213 Vertical Masthead Unit	\$1,511.00
BGH031002	1050mm (42") - 213 Vertical Masthead Unit	\$1,804.00
BGH031003	1450mm (57") - 213 Vertical Masthead Unit	\$2,096.00
BGH031010	1800mm (71") - 213 Vertical Masthead Unit-	\$2,949.00

## Masthead Cable

Part Number	Description	List Price
135-0A-097	Cable 9m - 213 Mastbase to Processor	\$39.00
178-0B-001	Standard Cable & Bracket 24m - 213 Masthead Unit	\$380.00
178-0C-001	Standard Cable & Bracket 30m - 213 Masthead Unit	\$433.00
178-0D-001	Standard Cable & Bracket 36m - 213 Masthead Unit	\$516.00
178-0D-040	Lightweight Cable & Bracket 36m - 213 Masthead Unit	\$832.00
178-0X-001	Standard Cable & Bracket 50m - 213 Masthead Unit	\$628.00
BGH030006	Cable 36m Lightweight - 213 Vertical Masthead Unit	\$343.00

## Masthead Unit Replacement Parts

Part Number	Description	List Price
042-01142	Nut: MHU, 213/496, black acorn	\$2.00
042-01678	Washer: MHU, 213/496, white	\$1.00
042-02434	Nut: MHU 213/496, white	\$1.00
044-02244	O Ring: MHU 213/496, small	\$1.00
044-02249	O Ring: MHU 213/496, medium	\$1.00
044-02250	O Ring: MHU 213/496, large	\$1.00
178-30-023	Nut: 213 MHU Bracket	\$14.00
213-10-001	PCB: 213	\$400.00
213-10-003	213 Spar Assembly: (Standard Version)	\$426.00
213-10-004	213/496 Wind Direction Bearing Assembly	\$123.00
213-10-038	213/496 Anemometer Bearing Assembly	\$127.00
213-10-039	213 Bracket Conversion Kit for C-type cable	\$64.00

Phone: 800-426-5565 Fax: 425-712-1173

All sales are subject to Simrad's Terms and Conditions of Sale

## Masthead Unit Replacement Parts (Con't)

Part Number	Description	List Price
213-10-046	Skirt Assembly	\$43.00
213-10-056	213/496 Windvane Assembly	\$93.00
213-20-029	213 Masthead Unit Bracket	\$74.00
213-30-008	Masthead Support	\$13.00
213-30-027	213/496 Anemometer Cups	\$48.00

## Custom Mast Cable

Part Number	Description	List Price
047-04525/100M	100m - 6-Core screened cable (Masthead)	\$342.00
047-04525/25M	25m - 6-Core screened cable (Masthead)	\$78.00
047-04525/50M	50m - 6-Core screened cable (Masthead)	\$171.00

## Load Cell Service Parts

Part Number	Description	List Price
BGH040028	Digital Loadcell Amplifier	\$975.00
BGH041001	12.7mm (1/2") - Loadcell only	\$1,804.00
BGH041002	16mm (5/8") - Loadcell only	\$1,901.00
BGH041003	19mm (3/4") - Loadcell only	\$1,998.00
BGH041004	23mm (7/8") - Loadcell only	\$2,096.00
BGH041005	25.4mm (1") - Loadcell only	\$2,193.00
BGH041006	28.5mm (1 1/8") - Loadcell only	\$2,778.00
BGH041007	32mm ( 1 1/4") - Loadcell only	\$2,973.00

## Compass

Part Number	Description	List Price
BGH060002	Gyro Compass: Sensor Only	\$2,041.00
BGH061001	Halcyon Gyro: Processor Only	\$1,160.00
BGH060003	Processor Pack: Halcyon with Cable	\$1,392.00
BGH063001	Interface Cable: Halcyon Gyro	\$232.00
486-00-009	Compass: Halcyon 2000	\$857.00
486-0A-004	Compass Cable 2m: Halcyon 2000	\$54.00
486-0B-004	Compass Cable 4m: Halcyon 2000	\$82.00

Phone: 800-426-5565 Fax: 425-712-1173

All sales are subject to Simrad's Terms and Conditions of Sale

## H2000 SPEED & DEPTH TRANSDUCER SELECTION

### H2000 Speed & Depth Sensor Packs

Part Number	Description	List Price
SEN-DPT-HP	H2000 Depth Sensor w/ Plastic Flange Housing, Type A	\$95.00
SEN-SPD-HP	H2000 Speed Sensor w/ Plastic Flange Housing, Type A	\$95.00
SEN-DPT-HPF	H2000 Depth Sensor w/ Plastic Flush Housing, Type A	\$101.00
SEN-SPD-HPF	H2000 Speed Sensor w/ Plastic Flush Housing, Type A	\$101.00
SEN-DPT-HM	H2000 Depth Sensor w/ Bronze Flange Housing, Type A	\$154.00
SEN-SPD-HM	H2000 Speed Sensor w/ Bronze Flange Housing, Type A	\$154.00
SEN-DPT-HMF	H2000 Depth Sensor w/ Bronze Flush Housing, Type A	\$171.00
SEN-SPD-HMF	H2000 Speed Sensor w/ Bronze Flush Housing, Type A	\$171.00
SEN-DPT-LRA	H2000 Long Reach Retractable Depth, Type A (Depth Sensor 170 khz, Bronze Hsg, Fairing Block, Retractable Plug)	\$372.00
SEN-SPD-LRA	H2000 Long Reach Retractable Depth, Type A (Speed Sensor 170 khz, Bronze Hsg, Fairing Block, Retractable Plug)	\$279.00

### XTL Fin Sensor Pack

Part Number	Description	List Price
254-1400-990	XTL Fin- Processor Pack w/o Sensor, Kit includes: (2) 135-0A-106, (1) Each 135-0B-096, 254-00-024, 275-00-038	\$1,694.00

### XTL Sensors

Part Number	Description	List Price
275-00-001	XTL Fin- Bronze Studs, Standard Length, Speed & Depth	\$1,559.00
275-00-031	XTL Fin- Bronze Studs, Extended Length, Speed & Depth	\$1,559.00
275-00-046	XTL Fin- Stainless Studs, Standard Length, Speed & Depth	\$1,559.00
275-00-056	XTL Fin- Stainless Studs, Extended Length, Speed & Depth	\$1,656.00
75-00-017	XTL Fin- Bronze Studs, Standard Length, Speed only	\$1,266.00

Phone: 800-426-5565 Fax: 425-712-1173

All sales are subject to Simrad's Terms and Conditions of Sale

## H2000 SPEED & DEPTH TRANSDUCER SELECTION (Con't)

### Shutt-Off Valve Sensor Packs

Part Number	Description	List Price
SEN-SPD-SOV	H2000 Retractable Speed Sensor w/Shut of Valve, Type B. Kit Includes: (1) Each 202-00-064, 155-00-025	\$2,436.00
SEN-DPT-SOV	H2000 Retractable Depth Sensor w/Shut of Valve, Type B. Kit Includes: (1) Each 157-34AA-038, 155-00-025, 135-140A-077	\$2,218.00

### Ultrasonic Speed

Part Number	Description	List Price
BGH070001	Ultrasonic Speed Sensor	\$511.00

### Switches

Part Number	Description	List Price
190-00-146	Automatic Gravity Changeover - Switch	\$621.00
253-00-008	Sonic to Paddle Changeover - Switch	\$617.00

Phone: 800-426-5565 Fax: 425-712-1173

All sales are subject to Simrad's Terms and Conditions of Sale

# H2000 SPEED/ DEPTH KIT COMPONENTS & SERVICE PARTS

## Hull Housings

Part Number	Description	List Price
5041-00101	<b>Bronze Flange</b> , Hull Hsg, A,	\$65.00
5041-00201	<b>Plastic Flange</b> , Hull Hsg, A,	\$7.00
5041-00301	<b>Bronze Flush</b> , Hull Hsg, A,	\$83.00
5041-00401	<b>Plastic Flush</b> , Hull Hsg, A,	\$13.00

## Standard Sensors

Part Number	Description	List Price
650-AA-220	<b>Spd, H, A</b> , Sensor	\$89.00
650-AA-240	<b>Dpt, H, A</b> , Sensor	\$89.00

## SOV Retractable Sensor

Part Number	Description	List Price
155-00-025	<b>SOV Housing</b>	\$1,189.00
157-34AA-038	<b>Depth Transducer:</b> For SOV housing	\$836.00
157-34BA-038	<b>Depth Transducer:</b> For SOV housing (Long Reach)	\$836.00
202-00-064	<b>Speed Sensor (paddlewheel):</b> For Shut Off Valve housing	\$1,247.00
135-0A-077	<b>Cable:</b> SOV Dpt, w/plug 10m	\$194.00
155-30-017	<b>Insulation Kit:</b> SOV	\$202.00

## Hull Housing

Part Number	Description	List Price
202-00-010	<b>Bronze Flange, Type B with Cap</b>	\$171.00
202-00-020	<b>Bronze Flush, Type B with Cap</b>	\$171.00
202-00-024	<b>Long Reach, Bronze with Plug</b>	\$452.00

## Sensors

Part Number	Description	List Price
202-00-100	<b>Low Speed:</b> 6 Blades, H, B White Hull Hsg, Old Style	\$171.00
202-00-119	<b>Low Speed:</b> 6 Blades, H, B Bronze Hull Hsg, Old Style	\$245.00
401-00-026	<b>Depth Sensor: H, B, Plastic</b>	\$171.00
401-00-027	<b>Depth Sensor: H, B, Bronze</b>	\$224.00

Phone: 800-426-5565 Fax: 425-712-1173

All sales are subject to Simrad's Terms and Conditions of Sale

# H2000 SPEED/ DEPTH KIT COMPONENTS & SERVICE PARTS

## Long Reach Sensors

Part Number	Description	List Price
650-AA-430	<b>Depth Sensor:</b> Long Reach, Type A	\$130.00
199-00-029	<b>Depth Sensor:</b> Bronze Long Reach, Type B	\$251.00
202-00-135	<b>Speed Sensor:</b> Bronze Long Reach, Type B	\$369.00

## UltraSonic Speed Sensor

Part Number	Description	List Price
BGH074003	<b>Junction Box Spare</b> UltraSonic	\$98.00
BGH074001	<b>Transucer Insert</b> UltraSonic	\$404.00

## Sensor Repair Kits

Part Number	Description	List Price
202-00-128	Repair Kit, Low Spd, H, B, Bronze	\$39.00
202-00-129	Repair Kit, Low Spd, H, B, Plastic	\$39.00
202-00-160	Repair Kit, High Spd, H, B, Bronze	\$39.00
202-00-161	Repair Kit, High Spd, H, B, Plastic	\$39.00
650-00-108	Repair Kit, Spd, Type A with Flapper	\$38.00
202-10-108	Plug, Type B Plastic	\$41.00

## Micro-Sonic Speed Sensor

Part Number	Description	List Price
254-00-024	<b>Microsonic Speed Processor</b>	\$1,379.00
254-10-001	<b>Microsonic Speed Processor PCB</b>	\$940.00
275-00-027	<b>Insulation Kit:</b> XTL Fin	\$127.00
275-00-038	<b>Fairing Block:</b> XTL Fin	\$175.00
135-0A-106	<b>Sonic Speed to Processor Cable, 9m</b>	\$52.00
135-0B-096	<b>Power Supply Cable:</b> 15m-0.5m m2, 2-core (also Pilot solenoid cable)	\$39.00

## Sonic Speed

Part Number	Description	List Price
184-10-056	<b>Dispatch Kit, Sonic Speed</b>	\$26.00
184-10-020	<b>Sonic Speed PCB</b>	\$872.00
184-00-024	<b>Sonic Speed Processor</b>	\$1487.00
184-00-081	<b>Sensor, Sonic Speed (Set)</b>	\$375.00

Phone: 800-426-5565 Fax: 425-712-1173

All sales are subject to Simrad's Terms and Conditions of Sale



Phone: 800-426-5565 Fax: 425-712-1173

All sales are subject to Simrad's Terms and Conditions of Sale

# H2000 PILOT SYSTEMS

## H2000 Pilot Base Packs

(Includes Pilot Display, Bezel, Processor, Dispatch Kit, J-Box & Cable)

Part Number		Description	List Price
HE-ACP1-PKE		Hercules 2000 Type 1 Pilot Base Pack	\$2,876.00
HE-ACP2-PKE		Hercules 2000 Type 2 Pilot Base Pack	\$4,241.00
HY-ACP1-PKE		Hydra 2000 Type 1 Pilot Base Pack	\$2,876.00
HY-ACP2-PKE		Hydra 2000 Type 2 Pilot Base Pack	\$4,241.00

## H2000 Pilot Displays

Part Number		Description	List Price
BGH120000		Remote Vision Pack: Includes Base Station	\$1,763.00
HE-PILOT-DISP		Hercules 2000 Pilot Display Pack	\$1,319.00
HY-PILOT-DISP		Hydra 2000 Pilot Display Pack	\$1,319.00

## PILOT DRIVE PACKS

### Hydraulic Linear Drive for Mechanical Steering

(Includes Power Cable, Solenoid Cable & Drive Unit)

Part Number		Description	List Price
PILOT-RAM0		Pilot Type 0, 12V/AJ, RAM Pack	\$1,758.00
PILOT-RAM1		Pilot Type 1, 12V/AJ, RAM Pack	\$1,754.00
PILOT-RAM2		Pilot Type 2, 12V/AJ, RAM Pack	\$2,245.00
PILOT-RAM3		Pilot Type 3, 24V, RAM Pack	\$2,635.00
PILOT-RAM4		Pilot Type 4, 24V, RAM Pack	\$8,384.00

### Reversing Pump For Hydraulic Steering

(Includes Power Cable, Thread Adapter Kit & Pump)

Part Number		Description	List Price
PILOT-PUMP1		Pilot Type 1, 12V, Pump Pack	\$956.00
PILOT-PUMP2		Pilot Type 2, 12V, Pump Pack	\$1,044.00
PILOT-PUMP3		Pilot Type 3, 24V, Pump Pack	\$1,478.00

Phone: 800-426-5565 Fax: 425-712-1173

All sales are subject to Simrad's Terms and Conditions of Sale

## H2000 PILOT SYSTEMS (Con't)

### Compass

Part Number	Description	List Price
BGH060001	<b>Halcyon Gyro-Stabilized Compass System.</b> Kit includes: Halcyon Gyro Compass & Processor Pack	\$3,433.00
BGH060002	<b>Halcyon Gyro-Stabilized Compass Sensor Unit Only</b> (For Direct Input into Enhanced Pilot Processor – BGH0636001 Cable Required)	\$2,041.00
486-00-009	<b>Compass Sensor,</b> Halcyon 2000	\$857.00

### Rudder Feedback Options

Part Number	Description	List Price
LFB-ACP-PK	<b>Pilot Linear Feedback Sensor w/ Mounting Kit</b>	\$362.00
RRF-ACP	<b>Pilot Rotary Reference Sensor</b>	\$232.00
NET-LFB	<b>Pilot Linear Feedback Unit Only</b>	\$325.00
SEN-RUD-LFB	<b>Pilot Linear Feedback UK Version</b>	\$441.00
NET-LFBKIT	<b>Net-LFB Install Kit</b>	\$38.00

### Assessories

Part Number	Description	List Price
PLHH-ACP	<b>Pilot Handheld Control Unit</b>	\$171.00
545-00-060	<b>Pilot Joystick Pack</b>	\$511.00
PILOT-MOB	<b>Man Over Board Pack</b> (Includes Man Overboard Button & J-Box)	\$206.00

**Note: Base Pack, Drive System, Compass & Rudder Feedback Required for Complete System**

# H2000 PILOT PACK KIT COMPONENTS & SERVICE PARTS

## Pilot Displays

Part Number		Description	List Price
240-00-029		H2000 Pilot Display	\$1,130.00
890-00-018		Hercules 2000 Pilot Display Bezel	\$42.00
240-00-044		Hydra 2000 Pilot Display Bezel	\$42.00

## Dispatch Kit

Part Number		Type	Description	List Price
240-10-046			H-Range Pilot Customer Dispatch Kit	\$51.00

## Pilot Processors

Part Number		Description	List Price
BGH171001		H2000 ACP1 Pilot Processor (12/24v 25A)	\$1,461.00
BGH171002		H2000 ACP2 Pilot Processor (12/24v 40A)	\$2,825.00
360-00-003		Hydra Pilot Processor ACP1 ( Replacement Only)	\$1,392.00
545-00-035		Hydra Pilot Processor ACP2 ( Replacement Only)	\$2,271.00

## Cable

Part Number		Description	List Price
135-0A-136		10m-2.5mm <sup>2</sup> , 2-core, Pump Power Supply Cable	\$52.00
135-0C-096		9m Solenoid Cable, RAM	\$28.00
135-0A-143		9m-4.0mm <sup>2</sup> , 2-core, Ram Power Supply Cable	\$171.00
135-0B-143		15m-4.0mm <sup>2</sup> , 2-core, Ram Power Supply Cable,	\$171.00

## Ram Drives & Spares

Part Number		Description	List Price
RAM-SPRS-T1		Spares Kit: For RAM-T1-12V, RAM-T2-12V, RAM-T2-24V	\$366.00
RAM-SPRS-T3		Spares Kit: For RAM-T3-24V	\$464.00
545-00-101		Drag Link Assembly Pack	\$35.00
RAM-BRSH-T1		Brushes: Replacement T1 & T2	\$55.00
RAM-BRSH-T2		Brushes: Replacement T3 & T4	\$74.00

Phone: 800-426-5565 Fax: 425-712-1173

All sales are subject to Simrad's Terms and Conditions of Sale

## H2000 PILOT PACK KIT COMPONENTS & SERVICE PARTS (Con't)

### Ram Drives & Spares (Con't)

Part Number	Description	List Price
RAM-T0-12V/AJ	Size 0, 12V, Hydraulic Ram	\$1,560.00
RAM-T1-12V/AJ	Size1, 12V, Hydraulic Ram	\$1,754.00
RAM-T2-12V/AJ	Size 2, 12V, Hydraulic Ram	\$2,047.00
RAM-T2-24V	Size 2, 24V, Hydraulic Ram	\$2,047.00
RAM-T3-24V	Size 3, 24V, Hydraulic Ram	\$2,436.00
RAM-T4-24V	Size 4, 24V, Hydraulic Twin Ram Constant Running System	\$8,185.00

### Pump Drives & Spares

Part Number	Description	List Price
PMP-SPRS-T1	Spares Kit: For PMP-T1-12V, PMP-T2-12V	\$137.00
PMP-SPRS-T3	Spares Kit: For PMP-T3-24V	\$137.00
345-00-076	Thread Adapter Kit, Pump	\$28.00
PMP-T1-12V	Size1, 12V, Hydraulic Pump	\$877.00
PMP-T2-12V	Size 2, 12V, Hydraulic Pump	\$966.00
PMP-T2-24V	Size 2, 24V, Hydraulic Pump	\$966.00
PMP-T3-24V	Size 3, 24V, Hydraulic Pump	\$1,399.00

### Motor Spares

Part Number	Description	List Price
MOTOR-SPARE-1	Replacement Motor: For RAM-T1-12V, RAM-T2-12V	\$488.00
MOTOR-SPARE-2	Replacement Motor: For PMP-T1-12V, PMP-T2-12V	\$488.00
MOTOR-SPARE-3	Replacement Motor: For PMP-T3-24V, RAM-T3-24V	\$877.00

Phone: 800-426-5565 Fax: 425-712-1173

All sales are subject to Simrad's Terms and Conditions of Sale

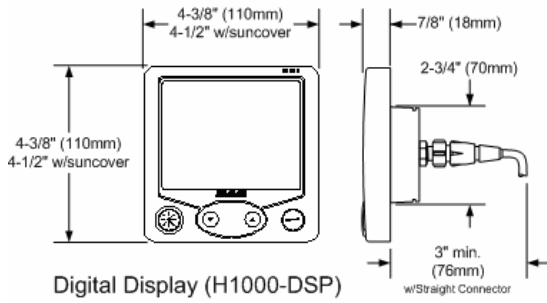
## Compass

Part Number		Description	List Price
BGH060002		<b>Gyro Compass:</b> Sensor Only	\$2,041.00
BGH061001		<b>Halcyon Gyro:</b> Processor Only	\$1,160.00
BGH060003		<b>Processor Pack:</b> Halcyon with Cable	\$1,392.00
BGH063001		<b>Interface Cable:</b> Halcyon Gyro	\$232.00
486-00-009		<b>Compass:</b> Halcyon 2000	\$857.00
486-0A-004		<b>Compass Cable 2m:</b> Halcyon 2000	\$54.00
486-0B-004		<b>Compass Cable 4m:</b> Halcyon 2000	\$82.00

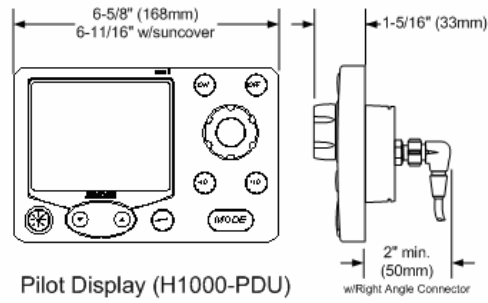
Phone: 800-426-5565 Fax: 425-712-1173

All sales are subject to Simrad's Terms and Conditions of Sale

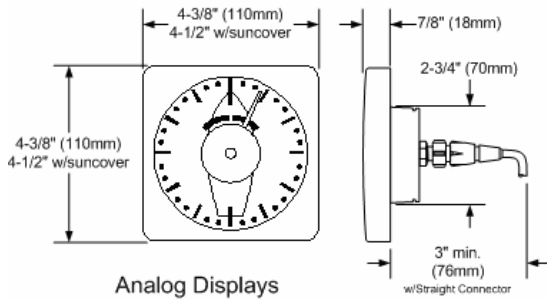
# H1000 Instrument Section



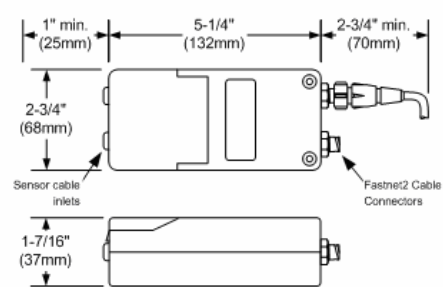
Digital Display (H1000-DSP)



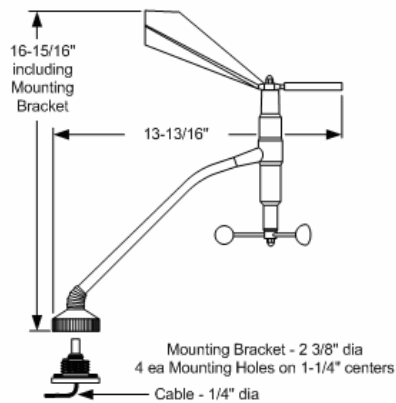
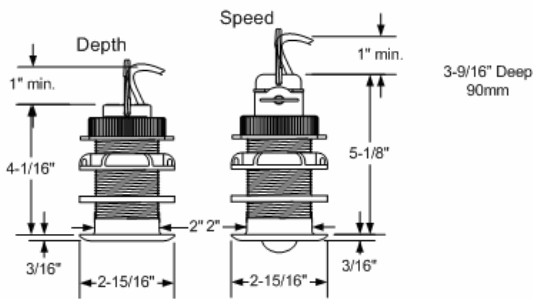
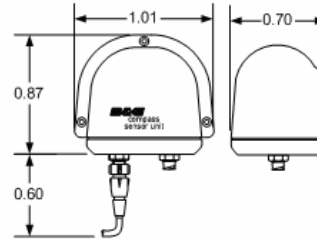
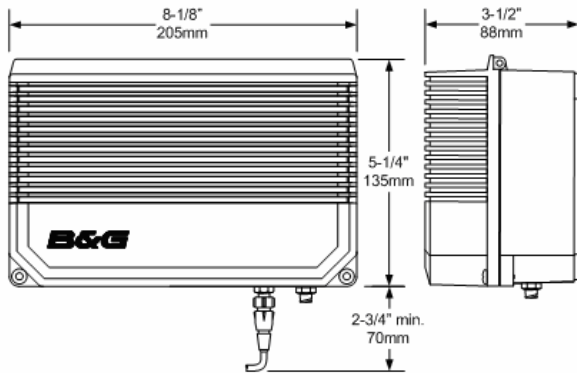
Pilot Display (H1000-PDU)



Analog Displays



Interface Box



Phone: 800-426-5565 Fax: 425-712-1173

All sales are subject to Simrad's Terms and Conditions of Sale

# H1000 INSTRUMENT SYSTEM PACKS

## H1000 Speed & Depth Display Pack

Part Number		Type	Description	List Price
H1000-DSSP-SD		5041-00201 650-AA-310 650-AA-330A H1000-DSSP	<b>H1000 Speed &amp; Depth Display Pack</b> <i>Includes:</i> <b>Hull Hsg:</b> A, Plastic Flange (2) <b>Sensor Only:</b> Spd, H1000 <b>Sensor:</b> ACTIVE Depth, H1000 <b>H1000 Speed and Depth Pack</b>	\$1,074.00
H1000-DSSP-W		5041-00201 650-AA-310 650-AA-330A H1000-DSSP H1000-WDS	<b>H1000 Speed, Depth &amp; Wind Display Pack</b> <i>Includes:</i> <b>Hull Hsg:</b> A, Plastic Flange (2) <b>Sensor Only:</b> Spd, H1000 <b>Sensor:</b> ACTIVE Depth, H1000 <b>H1000 Speed and Depth Pack</b> <b>H1000 Wind Pack</b>	\$1,918.00
H1000-DSP-N		H1000-DSP H1000-HC1 H1000-HCP H1000-UNI	<b>H1000 NMEA Repeater</b> <i>Includes:</i> <b>H1000 Digital Display</b> <b>H1000 FastNet2 Cable – 0.5m</b> <b>H1000 12V Power Cable – 0.5m</b> <b>H1000 Universal Interface Box</b>	\$783.00
H1000-DSSP-N		5041-00201 650-AA-310 650-AA-330A H1000-DSSP H1000-HC1 H1000-UNI	<b>H1000 Speed &amp; Depth Display Pack w/NMEA I/O</b> <i>Includes:</i> <b>Hull Hsg:</b> A, Plastic Flange (2) <b>Sensor Only:</b> Spd, H1000 <b>Sensor:</b> ACTIVE Depth Pack <b>H1000 Speed and Depth Pack</b> <b>H1000 FastNet2 Cable – 0.5m (2)</b> <b>H1000 Universal Interface box</b>	\$1,305.00

Phone: 800-426-5565 Fax: 425-712-1173

All sales are subject to Simrad's Terms and Conditions of Sale



## H1000 Speed & Depth Display Pack (Con't)

Part Number	Type	Description	List Price
H1000-DSSP-WN	5041-00201 650-AA-310 650-AA-330A H1000-DSSP H1000-HC5 H1000-UNI H1000-WDS	<b>H1000 Speed, Depth, &amp; Wind Display Pack w/ NMEA I/O</b> <i>Includes:</i> <b>Hull Hsg:</b> A, Plastic Flange (2) <b>Sensor Only:</b> Spd, H1000 <b>Sensor:</b> ACTIVE Depth Pack <b>H1000 Speed and Depth Pack</b> <b>H1000 FastNet2 Cable – 5m</b> <b>H1000 Universal Interface box</b> <b>H1000 Wind Pack</b>	\$2,130.00
H1000-DSSP-WNC	5041-00201 650-AA-310 650-AA-330A H1000-CSU H1000-DSSP H1000-HC1 H1000-HC5 H1000-UNI H1000-WDS	<b>H1000 Speed, Depth, Wind &amp; Compass Display Pack w/ NMEA I/O</b> <i>Includes:</i> <b>Hull Hsg:</b> A, Plastic Flange (2) <b>Sensor Only:</b> Spd, H1000 <b>Sensor:</b> ACTIVE Depth H1000 <b>H1000 Compass Sensor Unit</b> <b>H1000 Speed and Depth Pack</b> <b>H1000 FastNet2 Cable – 0.5m</b> <b>H1000 FastNet2 Cable – 5m (2)</b> <b>H1000 Universal Interface box</b> <b>H1000 Wind Pack</b>	\$2,644.00

### Add-On Displays

(Cable Required for each Display)

Part Number	Description	List Price
H1000-DSP	<b>H1000 Digital Display</b>	\$556.00
H1000-3FD	<b>H1000 3FD</b> (3 Function Display includes 6m Cable)	\$627.00
H1000-ACS	<b>H1000 Analog Compass Display</b>	\$469.00
H1000-AMW	<b>H1000 Analog Magnified Wind Angle Display</b>	\$469.00
H1000-AWA	<b>H10000 Analog Wind Angle Display</b>	\$469.00
H1000-AWS	<b>H1000 Analog Wind Speed Display</b>	\$469.00

Phone: 800-426-5565 Fax: 425-712-1173

All sales are subject to Simrad's Terms and Conditions of Sale

# H1000 Instrument Kit Components & Servie Parts

## Interface Boxes

Part Number	Description	List Price
H1000-HUB	4 Way FastNet2 Hub	\$65.00
H1000-UNI	Universal Interface Box, H10000	\$185.00
H1000-SDI	Speed Depth Interface Box, H1000	\$232.00
H1000-WDI	Wind Interface Box, H1000	\$194.00
619-10-013	3 FD Junction Box	\$112.00

## Cable

Part Number	Description	List Price
H1000-HC1	0.5m FastNet2 Cable – H1000	\$24.00
H1000-HC2	2.0m FastNet2 Cable – H1000	\$24.00
H1000-HC5	5.0m FastNet2 Cable – H1000	\$28.00
H1000-HC10	10.0m FastNet2 Cable – H1000	\$38.00
H1000-HC15	15m FastNet2 Cable – H1000	\$42.00
H1000-HC1AA	0.5m FastNet2 Cable H1000– Right Angle to Right Angle	\$24.00
H1000-HC1AS	0.5m FastNet2 Cable H1000– Right Angle to Straight	\$24.00
H1000-HC5AS	5.0m FastNet2 Cable H1000– Right Angle to Straight	\$42.00
H1000-HCP	0.5m 12V Power Cable – H1000	\$19.00

## Mast Cable

Part Number	Description	List Price
H1000-HCM32	Cable 32m, H1000 Masthead Cable	\$148.00
H1000-HCM24	Cable 24m, H1000 Masthead Cable	\$126.00

## Masthead Unit

Part Number	Description	List Price
H1000-MHU32	H1000 32” Vertical Masthead Unit	\$1,511.00
496-00-001	H1000 496 Masthead Unit	\$618.00

Phone: 800-426-5565 Fax: 425-712-1173

All sales are subject to Simrad’s Terms and Conditions of Sale

Phone: 800-426-5565 Fax: 425-712-1173

All sales are subject to Simrad's Terms and Conditions of Sale

# H1000 Instrument Kit Components & Service Parts (Con't)

## Brackets

Part Number	Description	List Price
H1000-MB1	Mast Bracket Kit for 1 Display, H1000	\$148.00
H1000-MB2	Mast Bracket Kit for 2 Display, H1000	\$167.00
H1000-MB2/USA	Mast Bracket Kit for 2 Display w/ B&G Logo, H1000	\$140.00
619-30-026	3FD/Universal 3FD Mast Mounting Bracket	\$132.00
BGH030008	Top Mounting Bracket, Vertical Masthead Unit	\$155.00

## Bracket Display Protection Boot

Part Number	Description	List Price
BGM014100	Cable Protection Boot	\$14.00

## Bezels/Covers

Part Number	Description	List Price
BGM013021	H1000 Square Display – Sun Cover	\$14.00
BGM013022	H1000 Round Analog Display – Sun Cover	\$14.00
BGM013024	H1000 Square Analog Bezel	\$24.00
619-20-009	3FD Display Bezel	\$20.00
619-30-007	3fd Sun Cover	\$19.00

## Sensors

Part Number	Description	List Price
5041-00201	Hull Hsg: A, Plastic Flange	\$7.00
650-AA-330A	Sensor: ACTIVE Depth, H1000	\$167.00
650-AA-310	Sensor Only: Spd, H1000	\$61.00

## Compass

Part Number	Description	List Price
H1000-CSU	H1000 Compass Sensor Unit	\$464.00

## Programmer

Part Number	Description	List Price
H1000-FPD	H1000 Field Programming Device	\$140.00

Phone: 800-426-5565 Fax: 425-712-1173

All sales are subject to Simrad's Terms and Conditions of Sale

# H1000 CUSTOM INSTRUMENT SYSTEMS

## Instrument Base Pack (Required)

Part Number	Description	List Price
H1000-DSSP	<b>H1000 Speed &amp; Depth Display Pack</b> (No Sensors) Kit Includes: Digital Display, Spd/Dpt Interface Box, Power & 10m Cable	\$835.00

## Additional Displays

### (Cable Required)

Part Number	Description	List Price
H1000-DSP	<b>H1000 Digital Display</b>	\$556.00
H1000-3FD	<b>H1000 3FD</b> (3 Function Display includes 6m Cable)	\$627.00
H1000-ACS	<b>H1000 Analog Compass Display</b>	\$469.00
H1000-AMW	<b>H1000 Analog Magnified Wind Angle Display</b>	\$469.00
H1000-AWA	<b>H10000 Anaolog Wind Angle Display</b>	\$469.00
H1000-AWS	<b>H1000 Analog Wind Speed Display</b>	\$469.00

## Sensor Selection - WIND

Part Number	Description	List Price
H1000-WDS	<b>H1000 Standard Wind Pack</b> – Kit Includes: 496 Masthead Unit, Wind Interface Box & 24m Mast Cable	\$844.00
H1000-WDS32	<b>H1000 Vertical Wind Pack:</b> Kit Includes: 32” Vertical, WDI I/O Box, Mast Cable & Top Mount Bracket	\$2,203.00

## Sensor Selection - DEPTH

Part Number	Description	List Price
SEN-DPT-AM	<b>Bronze Flange Housing, H1000 Depth Sensor</b>	\$232.00
SEN-DPT-AMF	<b>Bronze Flush Housing, H1000 Depth Sensor</b>	\$249.00
SEN-DPT-AP	<b>Plastic Flange Housing, H1000 Depth Sensor</b>	\$173.00
SEN-DPT-APF	<b>Plastic Flush Housing, H1000 Depth Sensor</b>	\$179.00
SEN-DPT-LRAT	<b>Bronze Flush Housing, H1000 Long Reach Sensor</b>	\$395.00

Phone: 800-426-5565 Fax: 425-712-1173

All sales are subject to Simrad's Terms and Conditions of Sale

# H1000 CUSTOM INSTRUMENT SYSTEMS (CON'T)

## Sensor Selection - SPEED

Part Number	Description	List Price
SEN-SPD-AM	<b>Bronze Flange Housing</b> , H1000 Speed Sensor	\$126.00
SEN-SPD-AMF	<b>Bronze Flush Housing</b> , H1000 Speed Sensor	\$143.00
SEN-SPD-AP	<b>Plastic Flange Housing</b> , H1000 Speed Sensor	\$67.00
SEN-SPD-APF	<b>Plastic Flush Housing</b> , H1000 Speed Sensor	\$73.00
SEN-SPD-LRA	<b>Long Reach Retractable Speed</b> , Type A, H1000	\$279.00

## Cables

Part Number	Description	List Price
H1000-HC1	<b>0.5m FastNet2 Cable</b> – H1000	\$24.00
H1000-HC2	<b>2.0m FastNet2 Cable</b> – H1000	\$24.00
H1000-HC5	<b>5.0m FastNet2 Cable</b> – H1000	\$28.00
H1000-HC10	<b>10.0m FastNet2 Cable</b> – H1000	\$38.00
H1000-HC15	<b>15m FastNet2 Cable</b> – H1000	\$42.00
H1000-HC1AA	<b>0.5m FastNet2 Cable</b> H1000– Right Angle to Right Angle	\$24.00
H1000-HC1AS	<b>0.5m FastNet2 Cable</b> H1000– Right Angle to Straight	\$24.00
H1000-HC5AS	<b>5.0m FastNet2 Cable</b> H1000– Right Angle to Straight	\$42.00
H1000-HCP	<b>0.5m 12V Power Cable</b> – H1000	\$19.00

## Brackets

Part Number	Description	List Price
H1000-MB1	<b>Mast Bracket Kit for 1 Display</b> , H1000	\$148.00
H1000-MB2	<b>Mast Bracket Kit for 2 Display</b> , H1000	\$167.00
H1000-MB2/USA	<b>Mast Bracket Kit for 2 Display w/ B&amp;G Logo</b> (No Cable), H1000	\$140.00
619-30-026	<b>3FD/Universal 3FD Mast Mounting Bracket</b>	\$132.00
BGH030008	<b>Top Mounting Bracket</b> , Vertical Masthead Unit	\$155.00

## Bracket Display Protection Boot

Part Number	Description	List Price
BGM014100	<b>Cable Protection Boot</b>	\$14.00

Phone: 800-426-5565 Fax: 425-712-1173

All sales are subject to Simrad's Terms and Conditions of Sale

# H1000 CUSTOM INSTRUMENT SYSTEMS (CON'T)

## InterFace Boxes

<b>Part Number</b>		<b>Description</b>	<b>List Price</b>
H1000-HUB		<b>4 Way FastNet2 Hub</b>	\$65.00
H1000-UNI		<b>H1000 Universal Interface Box</b>	\$185.00

Phone: 800-426-5565 Fax: 425-712-1173

All sales are subject to Simrad's Terms and Conditions of Sale

# H1000 PILOT SYSTEM

## Pilot Base Pack

Part Number	Type	Description	List Price
H1000-ACPC		<b>H1000 Pilot System (No Drive)</b> <i>Includes:</i>	\$2,530.00
	H1000-ACP1C	<b>H1000 Pilot Base pack</b>	
	H1000-HC10	<b>H1000 FastNet2 Cable: 10m</b>	
	H1000-HC15	<b>H1000 FastNet2 Cable: 15m</b>	
	H1000-HC2	<b>H1000 FastNet2 Cable: 2m</b>	
	H1000-HCP	<b>H1000 12V Power Cable: 0.5m</b>	

## Pilot Drive Pack – Hydraulic Linear Drive for Mechanical Steering (Includes Power Cable, Solenoid Cable & Drive Unit)

Part Number	Description	List Price
PILOT-RAM0	<b>Pilot Type 0, 12V/AJ, RAM Pack</b>	\$1,758.00
PILOT-RAM1	<b>Pilot Type 1, 12V/AJ, RAM Pack</b>	\$1,754.00
PILOT-RAM2	<b>Pilot Type 2, 12V/AJ, RAM Pack</b>	\$2,245.00

## Pilot Drive Pack – Reversing Pump for Hydraulic Steering (Includes Power Cable, Thread Adapter Kit & Pump)

Part Number	Description	List Price
PILOT-PUMP1	<b>Pilot Type 1, 12V, Pump Pack</b>	\$956.00
PILOT-PUMP2	<b>Pilot Type 2, 12V, Pump Pack,</b>	\$1,044.00

## Pilot Drive Rudder Feedback Options

Part Number	Description	List Price
LFB-ACP-PK	<b>Pilot Linear Feedback Sensor w/ Mounting Kit</b>	\$362.00
RRF-ACP	<b>Pilot Rotary Reference Sensor</b>	\$232.00
NET-LFB	<b>Pilot Linear Feedback Unit Only</b>	\$325.00
NET-LFBKIT	<b>Net-LFB Install Kit</b>	\$38.00
SEN-RUD-LFB	<b>Pilot Linear Feedback UK Version</b>	\$441.00

Phone: 800-426-5565 Fax: 425-712-1173

All sales are subject to Simrad's Terms and Conditions of Sale



## Assessories

Part Number		Description	List Price
PLHH-ACP		<b>Pilot Handheld Control Unit</b>	\$171.00
545-00-060		<b>Pilot Joystick Pack</b>	\$511.00
PILOT-MOB		<b>Man Over Board Pack</b> (Includes Man Overboard Button & J-Box)	\$206.00

**Note: Base Pack, Drive System, Compass & Rudder Feedback Required for Complete System)**

Phone: 800-426-5565 Fax: 425-712-1173

All sales are subject to Simrad's Terms and Conditions of Sale

# H1000 PILOT PACK KIT COMPONENTS & SERVICE PARTS

## H1000 Pilot Base Pack

Part Number	Type	Description	List Price
H1000-ACP1C		<b>H1000 Pilot Base Pack (No Drive and No Cables)</b> <i>Includes:</i>	\$2,410.00
	H1000-CSU	<b>H1000 Compass Sensor Unit</b>	
	H1000-CU1	<b>H1000 ACP Computer Unit</b>	
	H1000-PDU	<b>H1000 Pilot Display Unit</b>	
	H1000-UNI	<b>H1000 Universal Interface Box</b>	

## Pilot Display

Part Number	Description	List Price
H1000-PDU	<b>H1000 Pilot Display Unit</b>	\$742.00

## Pilot Processor

Part Number	Description	List Price
H1000-CU1	<b>H1000 ACP Computer Unit</b>	\$1,020.00

## Cables

Part Number	Description	List Price
H1000-HC1	<b>0.5m FastNet2 Cable – H1000</b>	\$24.00
H1000-HC2	<b>2.0m FastNet2 Cable – H1000</b>	\$24.00
H1000-HC5	<b>5.0m FastNet2 Cable – H1000</b>	\$28.00
H1000-HC10	<b>10.0m FastNet2 Cable – H1000</b>	\$38.00
H1000-HC15	<b>15m FastNet2 Cable – H1000</b>	\$42.00
H1000-HCP	<b>0.5m 12V Power Cable – H1000</b>	\$19.00

## Ram Drives & Spares

Part Number	Description	List Price
RAM-SPRS-T1	<b>Spares Kit:</b> For RAM-T1-12V, RAM-T2-12V, RAM-T2-24V	\$366.00
545-00-101	<b>Drag Link Assembly Pack</b>	\$35.00
RAM-T0-12V/AJ	<b>Size 0, 12V, Hydraulic Ram</b>	\$1,560.00
RAM-T1-12V/AJ	<b>Size1, 12V, Hydraulic Ram</b>	\$1,754.00
RAM-T2-12V/AJ	<b>Size 2, 12V, Hydraulic Ram</b>	\$2,047.00
RAM-T2-24V	<b>Size 2, 24V, Hydraulic Ram</b>	\$2,047.00

Phone: 800-426-5565 Fax: 425-712-1173

All sales are subject to Simrad's Terms and Conditions of Sale

# H1000 PILOT PACK KIT COMPONENTS & SERVICE PARTS (Con't)

## Pump Drives & Spares

Part Number	Description	List Price
PMP-SPRS-T1	<b>Spares Kit:</b> For PMP-T1-12V, PMP-T2-12V	\$137.00
PMP-T1-12V	<b>Size 1, 12V,</b> Hydraulic Pump	\$877.00
PMP-T2-12V	<b>Size 2, 12V,</b> Hydraulic Pump	\$966.00
PMP-T2-24V	<b>Size 2, 24V,</b> Hydraulic Pump	\$966.00

## Motor Spares

Part Number	Description	List Price
MOTOR-SPARE-1	<b>Replacement Motor:</b> For RAM-T1-12V, RAM-T2-12V	\$488.00
MOTOR-SPARE-2	<b>Replacement Motor:</b> For PMP-T1-12V, PMP-T2-12V	\$488.00

## Compass

Part Number	Description	List Price
H1000-CSU	<b>H1000 Compass Sensor Unit</b>	\$464.00

## Interface Boxes

Part Number	Description	List Price
H1000-HUB	<b>4 Way FastNet2 Hub</b>	\$65.00
H1000-UNI	<b>H10000 Universal Interface Box</b>	\$185.00

## Brush Spares

Part Number	Description	List Price
RAM-BRSH-T1	<b>Brushes,</b> Replacement T1 & T2	\$55.00
RAM-BRSH-T2	<b>Brushes,</b> Replacement T3 & T4	\$74.00

Phone: 800-426-5565 Fax: 425-712-1173

All sales are subject to Simrad's Terms and Conditions of Sale

# Network Replacement & Service Parts

## Displays

Part Number	Description	List Price
619-00-012	<b>3FD Display</b>	\$599.00
619-00-014	<b>3FD Universal Display Assy.</b>	\$682.00
NET-CPDU	<b>Network Compass Display Pack</b>	\$379.00
NET-DPDU	<b>Network Depth Display Pack</b>	\$334.00
NET-PLDU	<b>Network Pilot Display Pack</b>	\$464.00
NET-QDDU	<b>Network Quad Display Pack</b>	\$371.00
NET-SPDU	<b>Network Speed Display Pack</b>	\$334.00
NET-WDDU	<b>Network Wind Display Pack</b>	\$399.00

## Sensors

Part Number	Description	List Price
650-AA-110	Speed Sensor Type A	\$89.00
650-AA-130	Depth Sensor Type A	\$89.00
202-00-041	Thru-Hull Triducer	\$405.00
610-0A-026	Speed Sensor, N, B, Plastic Low Speed	\$182.00
610-0A-027	Depth Sensor, B, B, Plastic	\$182.00
610-0A-036	Speed Sensor, N, B, Bronze Low Speed	\$202.00
610-0A-040	Depth Sensor, N, B, Bronze	\$202.00
610-0A-129	Speed Sensor, N, B, Plastic High Speed	\$182.00
610-0A-130	Speed Sensor, N, B, Bronze High Speed	\$202.00
610-0A-159	Depth Sensor, N, Long Reach Bronze	\$232.00

## Parts

Part Number	Description	List Price
610-30-012	<b>Bracket, Mounting N Display</b>	\$16.00
610-30-016	<b>Cover, Display, N, Standard</b>	\$13.00
610-30-078	<b>Gasket, Network, Molded</b>	\$5.00

## Cable ACP To Compass

Part Number	Description	List Price
545-0A-026	<b>Interconnect Cable 12m, ACP Processor to Compass</b>	\$54.00

Phone: 800-426-5565 Fax: 425-712-1173

All sales are subject to Simrad's Terms and Conditions of Sale

### Cable ACP To Display

Part Number	Description	List Price
612-0A-064	Interconnect Cable 6m, ACP Display	\$50.00

### Cable Speed

Part Number	Description	List Price
610-0B-038	Extension Cable 9m, Network Speed Sensor	\$59.00
610-0A-038	Extension Cable 3m, Network Speed Sensor	\$47.00

### Cable Depth

Part Number	Description	List Price
610-0B-039	Extension Cable 9m, Network Depth Sensor	\$57.00
610-0A-039	Extension Cable 3m, Network Depth Sensor	\$37.00

### Cable Interconnect

Part Number	Description	List Price
NET-NC1	Cable 1m, Network Interconnect	\$42.00
NET-NC3	Cable 3m, Network Interconnect	\$61.00
NET-NC9	Cable 9m, Network Interconnect	\$98.00

### Cable NMEA

Part Number	Description	List Price
610-0A-030	Output "T" Cable 3m, Network NMEA	\$59.00
612-0A-053	Input Cable 3m, Network Pilot NMEA	\$39.00
612-0A-014	2 Pin 3m, NMEA Pilot	\$38.00

### Cable Power

Part Number	Description	List Price
610-0A-028	Cable 3m, Network Power Supply	\$29.00

Phone: 800-426-5565 Fax: 425-712-1173

All sales are subject to Simrad's Terms and Conditions of Sale

## Cable Wind

Part Number		Description	List Price
611-0A-052		<b>CD Conversion Cable Adaptor</b> (6-pin cable to 7-pin display)	\$34.00
611-0A-053		<b>496 Masthead Unit Cable, 32m</b>	\$219.00
611-0A-051		<b>Wind Extension Cable, 9m</b>	\$74.00

## Wind

Part Number		Description	List Price
496-10-003		<b>496 Masthead Unit Spar Assembly</b>	\$342.00
496-10-001		<b>496 MHU PCB</b>	\$256.00
496-00-001		<b>496 Masthead Unit</b>	\$618.00

## Pilot Processors

Part Number		Description	List Price
360-00-002		<b>ACP1 Complete, Network Pilot Processor</b>	\$928.00
545-00-042/CE		<b>ACP2 Complete, Network Pilot Processor</b>	\$1,484.00

## Pilot Compass

Part Number		Description	List Price
545-00-030		<b>Network Pilot Compass w/ 12m Cable</b>	\$209.00

Phone: 800-426-5565 Fax: 425-712-1173

All sales are subject to Simrad's Terms and Conditions of Sale