

H1000 SYSTEMS



S2 SYSTEM	S3 SYSTEM	S3N SYSTEM	S4 SYSTEM
\$1,157.00 / \$752.05 H1000-DSSP-SD COMPONENTS H1000 Digital Display Speed Sensor Depth Sensor	\$2,066.00 / \$1,342.90 H1000-DSSP-W COMPONENTS H1000 Digital Display Speed Sensor Depth Sensor Wind Sensor	\$2,295.00 / \$1,491.75 H1000-DSSP-WN COMPONENTS H1000 Digital Display Speed Sensor Depth Sensor Wind Sensor	\$2,849.00 / \$1,851.85 H1000-DSSP-WNC COMPONENTS H1000 Digital Display Speed Sensor Depth Sensor Wind Sensor Compass Sensor
CABLES HCP Power Cable, 5 meters HC10 FastNet2 Cable, 10 meters	CABLES HCP Power Cable, 5 meters HC10 FastNet2 Cable, 10 meters HCM Wind Cable, 24 meters	CABLES HCP Power Cable, 5 meters HC10 FastNet2 Cable, 10 meters HC5 FastNet2 Cable, 5 meters HCM Wind Cable, 24 meters	CABLES HCP Power Cable, 5 meters HC10 FastNet2 Cable, 10 meters HC5 FastNet2 Cable, 5 meters HC1 Fastnet2 Cable, 1 meter HCM Wind Cable, 24 meters
INTERFACE BOXES SDI Interface Box	INTERFACE BOXES SDI Interface Box Wind Interface Box	INTERFACE BOXES SDI Interface Box Wind Interface Box Universal NMEA Interface Box	INTERFACE BOXES SDI Interface Box Wind Interface Box Universal NMEA Interface Box
SPEED-DEPTH FUNCTIONS Boat Speed Water Depth Trip Log Stored Log Water Temp Count-up Timer Average Speed Battery Voltage Shallow Water Alarm Min Boat Speed Alarm Max Boat Speed Alarm 5 Minute Countdown Timer 10 Minute Countdown Timer	SPEED-DEPTH FUNCTIONS Boat Speed Water Depth Trip Log Stored Log Water Temp Count-up Timer Average Speed Battery Voltage Shallow Water Alarm Min Boat Speed Alarm Max Boat Speed Alarm 5 Minute Countdown Timer 10 Minute Countdown Timer	SPEED-DEPTH FUNCTIONS Boat Speed Water Depth Trip Log Stored Log Water Temp Count-up Timer Average Speed Battery Voltage Shallow Water Alarm Min Boat Speed Alarm Max Boat Speed Alarm 5 Minute Countdown Timer 10 Minute Countdown Timer	SPEED-DEPTH FUNCTIONS Boat Speed Water Depth Trip Log Stored Log Water Temp Count-up Timer Average Speed Battery Voltage Shallow Water Alarm Min Boat Speed Alarm Max Boat Speed Alarm 5 Minute Countdown Timer 10 Minute Countdown Timer
	WIND FUNCTIONS True Wind Angle True Wind Speed Velocity Made Good Apparent Wind Angle Apparent Wind Speed Max Wind Speed Alarm	WIND FUNCTIONS True Wind Angle True Wind Speed Velocity Made Good Apparent Wind Angle Apparent Wind Speed Max Wind Speed Alarm	WIND FUNCTIONS True Wind Angle True Wind Speed True Wind Direction Velocity Made Good Apparent Wind Angle Apparent Wind Speed Max Wind Speed Alarm
		NMEA FUNCTIONS* Tidal Set Tidal Rate VMG to Waypoint Cross Track Error Speed Over Ground Course Over Ground Bearing to Waypoint Distance to Waypoint Estimated Time of Arrival	NMEA FUNCTIONS* Tidal Set Tidal Rate VMG to Waypoint Cross Track Error Speed Over Ground Course Over Ground Bearing to Waypoint Distance to Waypoint Estimated Time of Arrival
			COMPASS FUNCTIONS Off-Course Alarm Compass Heading Head and Left Trending Dead Reckoning Course

*NMEA input sentence required

2005 DEALER PRICE BOOK



B&G: 13130 56th Court, Suite 602, Clearwater, FL 33760
 Tel: 727-540-0229 Fax: 727-540-0281 Email: USAsales@BandG.com



MAXIMIZING YOUR PERFORMANCE AT SEA

A Simrad Company

B&G DEALER POLICY

Program Summary	Standard Product Discount	Volume Discount Applies	On Water Calibration Incentive	Warranty (Years) P&L	Gold Card (Years) P&L
H2000	35%	Yes	Yes	1	3
H1000	35%	Yes		2	
Network	35%	Yes		2	
Pilot Drives	35%	Yes		1	
Service Parts	35%	Yes		1	

Standard Terms: 2% 20 Net 30 with approved credit
Credit Card Payments will be assessed a 2% service charge.

Prompt Pay Policy

Requirement: (Product Sales Only)
Verification:

20 days from invoice date
Envelope post date
Credit Card authorization date
Good Credit Standing

Qualification:

Invalid discounts taken will be charged back

Advance Replacement Policy

Contact: B&G Service
Qualification: In-Warranty Product
ID Number: AR at time of order
Dispatch: UPS Ground (3 day West Coast)
Return Period: 30 days or payment due
Credit: Subject to inspection

Suitable proof-of-purchase is the responsibility of the dealer.

Prompt Pay Volume Discount Program (All Sales)

	From	To	Discount	Terms
Level A	\$125,001	\$500,000	7.00%	20 Net 30
Level B	\$100,001	\$125,000	6.00%	20 Net 30
Level C	\$75,001	\$100,000	5.00%	20 Net 30
Level D	\$50,001	\$75,000	4.00%	20 Net 30
Level E	\$25,001	\$50,000	3.00%	20 Net 30
Standard Terms:		\$25,000	2.00%	20 Net 30

Sales Volume: Calculated from January 1st through December 31st

CCC (Calibration Commissioning Certificate) Program -Instrument Systems \$300.00 - H2000 Pilots \$150.00

- Qualification:** H2000 Systems
- Frequency:** One per boat
- Calibrations:** Speed, Depth and Wind
- Commissioning:** Compass swing and pilot setup
- Requirement:** Completes and returns CCC Form to Clearwater
- Notification Period:** 15 days after sea trial

Important: The CCC Form is required for the extended 3 Year Gold Card warranty on parts and labor.

Gold Card Warranty (CCC Form)

- B&G will extend an additional 2 years to the warranty period upon receipt of the completed CCC Form in Clearwater
- B&G will mail the Warranty Gold Card to the customer address listed on the form
- Gold Card Exclusion Products: Mechanical Drives, Racevision, Load Cells, Halcyon Gyro Sensor

Warranty Labor Schedule

Product Category	Hours
Network Instrument Displays	1.00
H2000 Instrument Displays	1.50
h1000 Instrument Displays	1.50
h1000 Interface Box	1.50
Other Sensors	1.50
Wind Sensor	2.00
Pilot Processor & Compass	2.50
Auto Pilot Drives	3.00

Times exceeding those listed must be pre-approved by B&G Service in Clearwater

Item	Rates	Maximum
Labor:	\$70.00 / hour	
Travel:	\$20.00 / hour	4 hours
Mileage:	\$0.25 / mile	200 miles

Merchandise Return Program

Required: RMA Number
Return Period: 30 days from RMA date
Qualification: New and unused
Credit: Subject to inspection in Clearwater

Freight charges are at the expense of the dealer

Restocking Schedule

1-45 days Original Terms of Sale
45-60 days 15%
60-90 days 25%
After 90 days Negotiated

Shipping Policy

Standard Method UPS Ground F.O.B. Clearwater
Shipping Rates B&G charges published UPS rates plus a \$6.00 handling charge.
Expedited Orders Expedited same day shipments need to be placed by 2:00 PM EST (3:00 PM West Coast)
Back Orders B&G will expedite system back orders & pay the difference between expedited freight & standard method.

This is a summary only and is intended as a quick reference guide to B&G programs and rules. For complete details or questions contact B&G in Clearwater or your B&G sales manager.

SENSOR ID TABLE

H SERIES SPEED SENSOR TABLE

Sensor Part Number	Description	Hull Housing Material/Type	List	Net	Paddlewheel Spares Kit	List	Net
117-00-120	Speed Sensor, Impeller Type	White Plastic	\$327.00	\$212.55	110-10-B21	\$60.00	\$39.00
117-00-124	Speed Sensor, Impeller Type for Shut-Off Valve Housing UNDER WATER UNIT	Shut-Off Valve	\$951.00	\$618.15	110-10-B21	\$60.00	\$39.00
202-00-036	Hornet 4 Paddlewheel 6-Blades Red Color Coil Type (Check with Wheelhouse Mktg)	Black Plastic or Bronze	Discontinued		202-00-054	Discontinued	
202-00-045	Hydra/Focus Paddlewheel, 6-Blades, Blue Color, Upgrade to 650-AA-220	Black Plastic	\$309.00	\$200.85	202-00-054	Discontinued	
202-00-064	Speed Sensor, Impeller Type for Shut-Off Valve Housing, Low Speed	Shut-Off Valve	\$1,279.00	\$831.35	202-00-128	\$40.00	\$26.00
202-00-100	Hydra/Focus Paddlewheel, Low-Speed (6-Blades), Old Style	White Plastic	\$175.00	\$113.75	202-00-129	\$40.00	\$26.00
202-00-119	Low speed paddle wheel, Hydra/Herc 690	Bronze	\$250.00	\$162.50	202-00-128	\$40.00	\$26.00
202-00-135	Long Reach Paddlewheel	Bronze	\$378.00	\$245.70	202-00-128	\$40.00	\$26.00
650-AA-220	Speed Sensor, Hydra, (Airmar)	Bronze or Plastic	\$75.00	\$48.75	650-00-108	\$40.00	\$26.00

H SERIES DEPTH SENSOR TABLE

Sensor Part Number	Description	Hull Housing Material/Type	List	Net
157-34AA-038	Depth S.O.V. Transducer (Shut-Off-Valve)	Shut-Off Valve	\$835.00	\$542.75
157-34BA-038	Depth S.O.V. Transducer (Shut-Off-Valve) Long Reach	Shut-Off Valve	\$835.00	\$542.75
199-00-029	Hecta early Hydra Depth Transducer	Bronze	\$257.00	\$167.05
401-00-026	Focus, Hydra, Network Depth Transducer	Plastic	\$175.00	\$113.75
401-00-027	Focus, Hydra, Network Depth Transducer	Bronze	\$229.00	\$171.75
650-AA-240	Hydra Depth Transducer, (Airmar)	Bronze or Plastic	\$75.00	\$48.75

NETWORK SPEED SENSOR TABLE

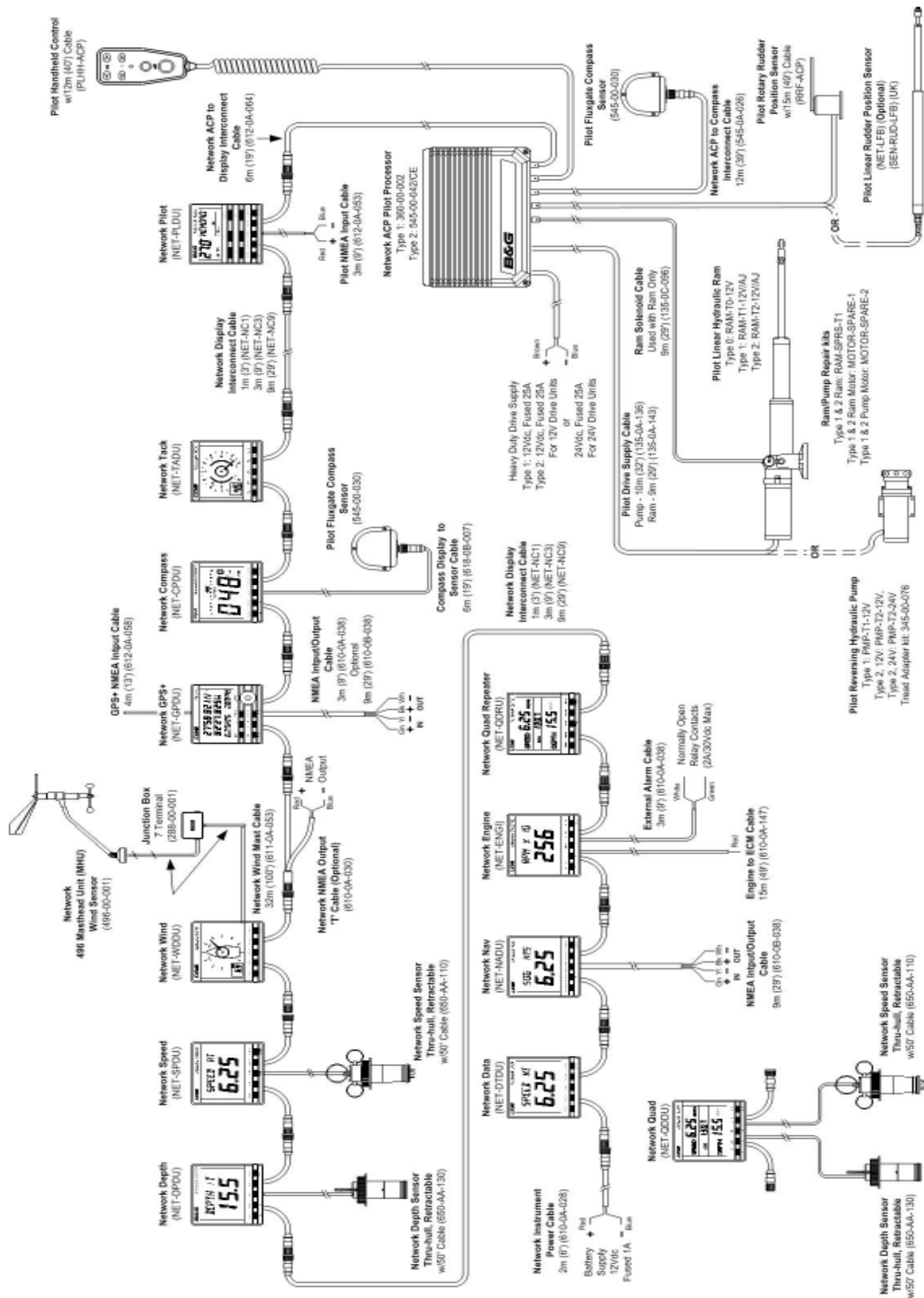
Sensor Part Number	Description	Hull Housing Material/Type	List	Net	Paddlewheel Spares Kit	List	Net
650-AA-110	Speed Sensor, Network, (Airmar)	Bronze or Plastic	\$95.00	\$61.75	650-00-108	\$40.00	\$26.00
610-0A-026	Low Speed Sensor, Network	White Plastic	\$186.00	\$120.90	202-00-129	\$40.00	\$26.00
610-0A-036	Low Speed Sensor, Network	Bronze	\$206.00	\$133.90	202-00-128	\$40.00	\$26.00
610-0A-129	High Speed Sensor, Network	White Plastic	\$186.00	\$120.90	202-00-161	\$40.00	\$26.00
610-0A-130	High Speed Sensor, Network	Bronze	\$206.00	\$133.90	202-00-160	\$40.00	\$26.00

NETWORK DEPTH SENSOR TABLE

Sensor Part Number	Description	Hull Housing Material/Type	List	Net
610-0A-027	Network Depth Transducer	Plastic	\$186.00	\$120.90
610-0A-040	Network Depth Transducer	Bronze	\$206.00	\$133.90
650-AA-130	Network Depth Transducer, (Airmar)	Bronze or Plastic	\$89.00	\$57.85

TRIDUCER SENSOR TABLE

Sensor Part Number	Description	Hull Housing Material/Type	List	Net	Paddlewheel Spares Kit	List	Net
202-00-041	TRIDUCER, THRU-HULL, B66V	BRONZE	\$415.00	\$269.75	33-046-01	Pending	Pending
202-00-046	TRIDUCER, TRANSOM MOUNTED	PLASTIC	\$275.00	\$178.75	650-00-108	\$40.00	\$26.00



NUMERICAL PAGE INDEX

PAGE	PAGE CONTENTS
1	Ordering Overview
2	Ordering Systems - Examples

H2000 System Selection Pages

3	Order H2000 Instrument Systems
5	Order H2000 Display Packs
7	Order H2000 Sensors - Wind, Load Cells, Meteorological & Compass
9	Order H2000 Sensors Continued - Speed & Depth
11	Order H2000 Pilot Systems

H2000 Component & Service Parts

4	H2000 Instrument Systems Components
6	H2000 Display Components & Service Parts
8	H2000 Sensors Parts - Wind, Compass & Load Cells
10	H2000 Sensors Continued - Speed & Depth Components and Service Parts
12	H2000 Pilot Components & Service Parts
13-14	H2000 System Drawing

H1000 System Selection Pages

15	Order H1000 Instrument Packs
17	Order H1000 Build Custom Pack Selection
19	Order H1000 Pilot Packs

H1000 Component & Service Parts

16	H1000 Instrument Systems Components & Service Parts
20	H1000 Pilot Pack Components & Service Parts
18	H1000 System Drawing

Network Instruments & Pilot Selection Pages

21	Order Network Instruments and Pilots
----	--------------------------------------

Network Instruments & Pilot Service Parts

22	Network Service Parts
23	Network System Drawing

SENSOR ID TABLE

24	Speed & Depth Sensor Replacement Parts Table
----	--

ORDERING INSTRUMENT SYSTEMS AND PILOT GUIDELINES

All instrument and pilot packages are designed to allow specific options to be ordered depending on the product line and type of boat being quoted. These options are detailed in the price book and consist of the following basics:

Instrument Systems

1. Order System Base Pack - All base packs include (1) display and all necessary hardware to complete a basic install.
2. Order Additional Displays - Choose between various display options that meet the owner's and boat's application.
3. Order Additional Sensors - Choose masthead unit options and other sensors applicable to the boat package.

Note: Be sure to indicate correct mast bracket when ordering 213 Vertical Mast Units.

4. Order Speed & Depth Sensors - Complete the system with a selection of appropriate speed and depth sensor packages.

Pilot Packages

1. Order Pilot Base Pack - All packs include ACP (Advance Control Processor, Pilot Display and all hardware for complete install.

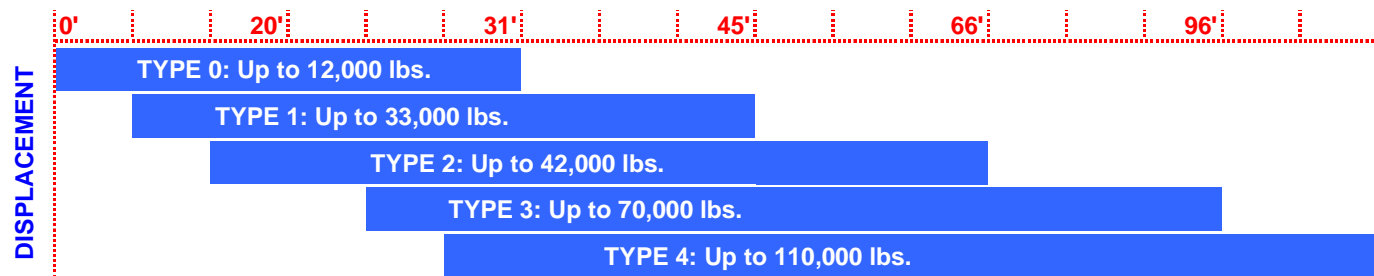
Note: The H1000 ACP is compatible with either a Type 1 or Type 2 drive unit.

Note: H1000 and Network pilot packs include fluxgate compass.

2. Order Drive System - Each drive pack includes drive unit and hardware for a complete install.
3. Order Compass Options - H2000 Only
4. Order Rudder Feedback Options - For limited space RRF-ACP is recommended.
5. Order Pilot Options - Select pilot control devices.

Follow the chart below for recommended drive solutions:

DRIVE UNIT & PUMP CAPACITY SELECTION GUIDE



The information above is presented as a general guideline for the proper selection of autopilot drive units. The drive unit requirement will determine which Advanced Control Processor (ACP) system is needed to complete the installation. The primary consideration in determining the drive unit type is boat displacement.

In addition to boat size, the proper selection of a hydraulic pump for hydraulic systems will be further defined by the total capacity or displacement of the boat's steering system.

- Type 1: PUMP1: 6.1 to 18.3 cubic inches [100-300cc]
- Type 2: PUMP2: 16.8 to 30.5 cubic inches [275-500cc]
- Type 3: PUMP3: 32.0 to 45.8 cubic inches [525-750cc]

NETWORK REPLACEMENT AND SERVICE PARTS

LIST NET

DISPLAYS

619-00-012	3FD Display	\$599.00	\$389.35
619-00-014	3FD UNIVERSAL DISPLAY ASSY	\$699.00	\$454.35
NET-CPDU	Network Compass Display Pack	\$379.00	\$246.35
NET-DPDU	Network Depth Display Pack	\$359.00	\$233.35
NET-ENGI	Network Engine Display Pack	\$379.00	\$246.35
NET-PLDU	Network Pilot Display Pack	\$499.00	\$324.35
NET-QDDU	Network Quad Display Pack	\$399.00	\$259.35
NET-SPDU	Network Speed Display Pack	\$359.00	\$233.35
NET-WDDU	Network Wind Display Pack	\$429.00	\$278.85

SENSORS (See Page 10 For Hull Housings)

650-AA-110	Speed Sensor Type A	\$95.00	\$61.75
650-AA-130	Depth Sensor Type A	\$95.00	\$61.75
202-00-046	Transom Mount Triducer	\$275.00	\$178.75
202-00-041	Thru-Hull Triducer	\$415.00	\$269.75

CABLE ACP TO COMPASS

545-0A-026	ACP Processor to Compass Interconnect Cable 12m	\$55.00	\$35.75
------------	---	---------	---------

CABLE ACP TO DISPLAY

612-0A-064	ACP to Display Interconnect Cable 6m	\$50.00	\$32.50
------------	--------------------------------------	---------	---------

CABLE SPEED

610-0B-038	Network Speed Sensor Extension Cable 9m	\$60.00	\$39.00
610-0A-038	Network Speed Sensor Extension Cable 3m	\$47.00	\$30.55

CABLE DEPTH

610-0B-039	Network Depth Sensor Extension Cable 9m	\$58.00	\$37.70
610-0A-039	Network Depth Sensor Extension Cable 3m	\$37.00	\$24.05

CABLE INTERCONNECT

NET-NC1	Network Interconnect Cable 1m	\$45.00	\$29.25
NET-NC3	Network Interconnect Cable 3m	\$65.00	\$42.25
NET-NC9	Network Interconnect Cable 9m	\$105.00	\$68.25

CABLE NMEA

610-0A-030	Network NMEA Output "T" Cable 3m	\$60.00	\$39.00
612-0A-053	Network Pilot NMEA Input Cable 3m	\$40.00	\$26.00
612-0A-014	NMEA Pilot 2 Pin 3m	\$38.00	\$24.70

CABLE POWER

610-0A-028	Network Power Supply Cable 3m	\$29.00	\$18.85
------------	-------------------------------	---------	---------

CABLE WIND

611-0A-052	CE Conversion Cable Adaptor (6-pin cable to 7-pin display)	\$34.00	\$22.10
611-0A-053	496 Masthead Unit Cable 32m	\$223.00	\$144.95
611-0A-051	Wind Extension Cable, 9m	\$75.00	\$48.75

WIND (See Page 8 For Service Repair Parts)

496-10-003	496 Masthead Unit Spar Assembly	\$350.00	\$227.50
496-10-001	496 MHU PCB	\$275.00	\$178.75
496-00-001	496 Masthead Unit	\$565.00	\$367.25
496-10-003	496 Spar Only	\$350.00	\$227.50

PILOT PROCESSORS

360-00-002	Network Pilot Processor ACP1 Complete	\$999.00	\$649.35
545-00-042/CE	Network Pilot Processor ACP2 Complete	\$1,599.00	\$1,039.35

PILOT COMPASS

545-00-030	Network Pilot Compass w/ 12m Cable	\$ 275.00	\$178.75
------------	------------------------------------	-----------	----------

ORDER: NETWORK INSTRUMENT & PILOT PACKS LIST **NET**

INSTRUMENTS WITH SENSORS

NET-QW-SYST	Network Quad & Wind System	\$1,402.00	\$911.30
NET-SDW-SYST	Network Speed, Depth & Wind System	\$1,721.00	\$1,118.65
NET-QDDU-SB	Network QUAD Display Pack w/ Bronze Hull Housing	\$739.00	\$480.35
NET-QDDU-SP	Network QUAD Display Pack w/ Plastic Hull Housing	\$603.00	\$391.95
NET-DPDU-SB	Network Depth Display Pack w/ Bronze Hull Housing	\$529.00	\$343.85
NET-DPDU-SP	Network Depth Display Pack w/ Plastic Hull Housing	\$461.00	\$299.65
NET-SPDU-SB	Network Speed Display Pack w/ Bronze Hull Housing	\$529.00	\$343.85
NET-SPDU-SP	Network Speed Display Pack w/ Plastic Hull Housing	\$461.00	\$299.65
NET-WSYS	Network Wind System	\$799.00	\$519.35

NETWORK DISPLAYS PACKS

619-PK-10	Network 3FD Pack	\$749.00	\$486.85
619-PK-11	Universal 3FD Pack (NMEA compatible)	\$899.00	\$584.35
NET-CSYS	Network Compass System	\$549.00	\$356.85
NET-DTDU	Network Data Display Pack	\$379.00	\$246.35
NET-ESYS	Network Engine Display Pack	\$575.00	\$373.75
NET-GPDU	Network GPS Plus 12 Display Pack (GPS not included)	\$650.00	\$422.50
NET-NADU	Network Nav Display Pack	\$379.00	\$246.35
NET-QDRU	Network Quad Repeater Display Pack	\$379.00	\$246.35
NET-TADU	Network Tack Display Pack	\$379.00	\$246.35

COVERS & BRACKET

610-30-016	Cover, Display, Standard	\$13.00	\$8.45
615-30-020	Cover, Display, Deep GPS Only	\$15.00	\$9.75
610-30-012	Mounting Bracket Network Display	\$16.00	\$10.40

NETWORK DISPLAY (Order sensor option below)

NET-QDDU	Network Quad Display Pack	\$399.00	\$259.35
NET-SPDU	Network Speed Display Pack	\$359.00	\$233.35
NET-DPDU	Network Depth Display Pack	\$359.00	\$233.35

SENSOR OPTION PACKS

SEN-DPT-NM	Network Depth Sensor w/ Bronze Flange Hsg	\$170.00	\$110.50
SEN-SPD-NM	Network Speed Sensor w/ Bronze Flange Hsg	\$170.00	\$110.50
SEN-DPT-NP	Network Depth Sensor w/ Plastic Flange Hsg	\$102.00	\$66.30
SEN-SPD-NP	Network Speed Sensor w/ Plastic Flange Hsg	\$102.00	\$66.30
NET-TRA	Transom Mount Triducer (Includes Triducer, Spd/Dpt Cable & J-Box)	\$440.00	\$286.00
NET-TRM	Thru-Hull Triducer (Includes Triducer, Spd/Dpt Cable & J-Box)	\$580.00	\$377.00

NETWORK PILOTS (Order Base Pack, Drive System, & Rudder Feedback Option)

NETWORK PILOT PACKS (Includes Display, Processor, & Compass)

NET-ACP1	Network Type 1 Pilot Pack	\$1,773.00	\$1,152.45
NET-ACP2	Network Type 2 Pilot Pack	\$2,373.00	\$1,542.45

PILOT DRIVE PACKS (See Page 12 For Service Repair Parts)

HYDRAULIC LINEAR DRIVE FOR MACHANICAL STEERING (includes Power Cable, Solenoid Cable & Drive Unit)

PILOT-RAM0	RAM Pack, Pilot Type 0, 12V/AJ	\$1,803.00	\$1,171.95
PILOT-RAM1	RAM Pack, Pilot Type 1, 12V/AJ	\$2,003.00	\$1,301.95
PILOT-RAM2	RAM Pack, Pilot Type 2, 12V/AJ	\$2,303.00	\$1,496.95

REVERSING PUMP FOR HYDRAULIC STEERING (includes Power Cable, Thread Adapter Kit, and Pump)

PILOT-PUMP1	Pump Pack, Pilot Type 1, 12V	\$982.00	\$638.30
PILOT-PUMP2	Pump Pack, Pilot Type 2, 12V	\$1,072.00	\$696.80

PILOT DRIVE RUDDER FEEDBACK OPTIONS

RRF-ACP	Pilot Rotary Reference Sensor	\$225.00	\$146.25
LFB-ACP-PK	Pilot Linear Feedback Sensor w/ Mounting Kit	\$390.00	\$253.50
NET-LFB	Pilot Linear Feedback Unit Only	\$350.00	\$227.50
NET-LFB/IO	Pilot Linear Feedback, Outboards (Rotating Cylinder)	\$350.00	\$227.50
NET-LFBKIT	Net-LFB Install Kit	\$40.00	\$26.00
SEN-RUD-LFB	Pilot Linear Feedback UK Version	\$475.00	\$308.75

ACCESSORIES

PLHH-ACP	Pilot Handheld Control Unit	\$175.00	\$113.75
545-00-060	Pilot Joystick Pack	\$550.00	\$357.50

ORDERING SYSTEMS - EXAMPLES

EXTENDED LIST **EXTENDED NET**

HERCULES INSTRUMENT SYSTEM

HE-SYST-1	Hercules 2000 Race Pack	1	\$4,773.00	\$3,102.45
BGH120000	RemoteVision Pack incl Base Station	1	\$1,899.00	\$1,234.35
HE-FFD-PK	Hercules 2000 FFD Display Pack	1	\$1,418.00	\$921.70
HE-2020-RED	Hercules 2020 Red Display Pack	2	\$3,556.00	\$2,311.40
BGH030001	213 Vertical Masthead Unit - Pack 810mm (32")	1	\$2,087.00	\$1,356.55
BGH030008	213 Vertical Masthead Unit - Top Mounting Bracket	1	\$159.00	\$103.35
BGH040002	Loadcell 16mm (5/8") Pack	1	\$2,950.00	\$1,917.50
SEN-DPT-HPF	H2000 Depth Sensor w/ Plastic Flush Housing, Type A	1	\$107.00	\$56.55
SEN-SPD-HPF	H2000 Speed Sensor w/ Plastic Flush Housing, Type A	1	\$107.00	\$56.55
			\$17,056.00	\$11,060.40

HERCULES PILOT SYSTEM

HE-ACP2-PKE	Hercules 2000 Type 2 Pilot Base Pack	1	\$4,375.00	\$2,843.75
PILOT-RAM3	RAM Pack, Pilot Type 3, 24V	1	\$2,703.00	\$1,756.95
BGH060002	Halcyon Gyro-Stabilized Compass Sensor Unit Only	1	\$2,199.00	\$1,429.35
BGH063001	Halcyon Gyro Interface Cable	1	\$250.00	\$162.50
LFB-ACP-PK	Pilot Linear Feedback Sensor w/ Mounting Kit	1	\$390.00	\$253.50
PILOT-MOB	Man Over Board Pack (Includes Man Overboard Button & J-Box)	1	\$209.00	\$135.85
			\$10,126.00	\$6,581.90

H1000 INSTRUMENT SYSTEM

H1000-DSSP	H1000 Speed and Depth Display Pack	1	\$899.00	\$584.35
H1000-WDS	H1000 Wind Pack	1	\$909.00	\$590.85
H1000-DSP	H1000 Digital Display	2	\$1,198.00	\$778.70
H1000-AWA	H1000 Analogue Wind Angle Display	1	\$505.00	\$328.25
H1000-HC1	H1000 FastNet2 Cable - 0.5m	3	\$75.00	\$48.75
SEN-DPT-AM	H1000 Depth Sensor w/ Bronze Flange Housing	1	\$254.00	\$165.10
SEN-SPD-AM	H1000 Speed Sensor w/ Bronze Flange Housing	1	\$140.00	\$91.00
H1000-MB2/USA	H1000 Mast Bracket Kit for 2 Display w/ B&G Logo	1	\$150.00	\$97.50
H1000-UNI	H1000 Universal Interface Box	1	\$199.00	\$129.35
H1000-HC2	H1000 FastNet2 Cable - 2m	1	\$25.00	\$16.25
			\$4,354.00	\$2,830.10

H1000 PILOT SYSTEM

H1000-ACPC	H1000 Pilot System	1	\$2,726.00	\$1,726.40
PILOT-RAM1	RAM Pack, Pilot Type 1, 12V/AJ	1	\$2,003.00	\$1,301.95
LFB-ACP-PK	Pilot Linear Feedback Sensor w/ Mounting Kit	1	\$390.00	\$253.50
PLHH-ACP	Pilot Handheld Control Unit	1	\$175.00	\$113.75
			\$5,294.00	\$3,395.60

NETWORK INSTRUMENT & PILOT SYSTEM

NET-QDDU-SB	Network QUAD Display Pack w/ Bronze Hull Housing	1	\$739.00	\$454.35
NET-QDRU	Network Quad Repeater Display Pack	1	\$379.00	\$246.35
NET-ACP2	Network Type 2 Pilot Pack	1	\$2,373.00	\$1,542.45
PILOT-RAM2	RAM Pack, Pilot Type 2, 12V/AJ	1	\$2,303.00	\$1,496.95
RRF-ACP	Pilot Rotary Reference Sensor	1	\$225.00	\$146.25
			\$6,019.00	\$3,886.35

ORDER: H2000 INSTRUMENT SYSTEM PACKS **LIST** **NET**

HE-SYST-2		Hercules 2000 Grand Prix Pack	\$9,513.00	\$6,183.45
1	130-00-045	Alarm, H2000 Sonalert		
1	135-0A-096	Cable, Power, H, 3m		
1	135-0A-098	Cable, NMEA, H, 2 cond, 4m		
1	135-0A-160	Cable, RS232 I/O, 9 Pin, 3m		
1	135-0A-130	Cable, Fastnet, H2000, 10m		
1	239-00-099	Terminator, H System, 2 ea.		
1	288-00-001	Junction Box, 7 Terminal		
1	240-00-026	Display,H2000,Standard FFD		
1	BGH130001	Hercules Main Processor		
1	890-10-013	Dispatch Kit, Hercules 2000		
1	890-00-017	Bezel, Hercules 2000 FFD		
1	890-00-042	Processor, Performance, H2000		
1	240-30-054	Installers Document Pack		

HE-SYST-1		Hercules 2000 Race Pack	\$4,773.00	\$3,102.45
1	130-00-045	Alarm, H2000 Sonalert		
1	240-30-054	Installers Document Pack		
1	BGH130001	Hercules Main Processor		
1	890-00-017	Bezel, Hercules 2000 FFD		
1	386-00-023	Junction Box, 18 Terminal		
1	239-00-099	Terminator, H System, 2 ea.		
1	240-00-028	Display, H2000, NMEA FFD		
2	135-0A-096	Cable, Power, H, 3m		
1	135-0A-130	Cable, Fastnet, H2000, 10m		
1	890-10-013	Dispatch Kit, Hercules 2000		

HY-SYST-2		Hydra 2000 Navigator Pack	\$8,062.00	\$5,240.30
1	130-00-045	Alarm, H2000 Sonalert		
1	135-0A-096	Cable, Power, H, 3m		
1	135-0A-098	Cable, NMEA, H, 2 cond, 4m		
1	135-0A-160	Cable, Fastnet, H2000, 10m		
1	135-0A-130	Cable, RS232 I/O, 9 Pin, 3m		
1	239-00-099	Terminator, H System, 2 ea.		
1	288-00-001	Junction Box, 7 Terminal		
1	240-00-026	Display,H2000,Standard FFD		
1	330-00-005	Processor, Hydra 2000		
1	890-10-013	Dispatch Kit, Hydra 2000		
1	240-00-035	Bezel, Hydra 2000 FFD		
1	890-00-042	Processor, Performance, H2000		
1	240-30-054	Installers Document Pack		

HY-SYST-1		Hydra 2000 Cruise Pack	\$3,322.00	\$2,159.30
1	130-00-045	Alarm, H2000 Sonalert		
1	240-30-054	Installers Document Pack		
1	330-00-005	Processor, Hydra 2000		
1	240-00-035	Bezel, Hydra 2000 FFD		
1	386-00-023	Junction Box, 18 Terminal		
1	239-00-099	Terminator, H System, 2 ea.		
1	240-00-028	Display, H2000, NMEA FFD		
2	135-0A-096	Cable, Power, H, 3m		
1	135-0A-130	Cable, Fastnet, H2000, 10m		
1	240-10-062	Dispatch Kit, Hydra 2000		

HS-SYST-1		HS2000 Power Pack	\$2,771.00	\$1,801.15
1	130-00-045	Alarm, H2000 Sonalert		
2	135-0A-096	Cable, Power, H, 3m		
1	135-0A-130	Cable, Fastnet, H2000, 10m		
1	239-00-099	Terminator, H System, 2 ea.		
1	386-00-023	Junction Box, 18 Terminal		
1	921-00-005	Processor, HS 2000		
1	240-00-028	Display, H2000, NMEA FFD		
1	240-00-073	Bezel, HS 2000 FFD		
1	240-10-076	Dispatch Kit, HS 2000		
1	240-30-054	Installers Document Pack		

H1000 PILOT PACK KIT COMPONENTS & SERVICE PARTS **LIST** **NET**

H1000-ACP1C		H1000 Pilot Base Pack (No Drive and No Cables)	\$2,596.00	\$1,687.40
1	H1000-CSU	H1000 Compass Sensor Unit		
1	H1000-CU1	H1000 ACP Computer Unit		
1	H1000-PDU	H1000 Pilot Display Unit		
1	H1000-UNI	H1000 Universal Interface Box		

PILOT DISPLAY			\$799.00	\$519.35
H1000-PDU	H1000 Pilot Display Unit			

PILOT PROCESSORS			\$1,099.00	\$714.35
H1000-CU1	H1000 ACP Computer Unit			

CABLE				
H1000-HC1	H1000 FastNet2 Cable - 0.5m	\$25.00		\$16.25
H1000-HC2	H1000 FastNet2 Cable - 2.0m	\$25.00		\$16.25
H1000-HC5	H1000 FastNet2 Cable - 5.0m	\$30.00		\$19.50
H1000-HC10	H1000 FastNet2 Cable - 10.0m	\$40.00		\$26.00
H1000-HC15	H1000 FastNet2 Cable - 15.0m	\$45.00		\$29.25
H1000-HCP	H1000 12V Power Cable - 0.5m	\$20.00		\$13.00

RAM DRIVES AND SPARES				
RAM-SPRS-T1	Spares Kit for RAM-T1-12V, RAM-T2-12V, RAM-T2-24V	\$375.00		\$243.75
445-00-030	Quick Release Pin, RAM A/J (Non-Stainless Rose Joint)	\$36.00		\$23.40
545-00-101	Drag Link Assembly Pack	\$35.00		\$22.75

RAM-T0-12V	Hydraulic Ram - Size 0, 12V	\$1,600.00		\$1,040.00
RAM-T1-12V/AJ	Hydraulic Ram - Size 1, 12V	\$1,800.00		\$1,170.00
RAM-T2-12V/AJ	Hydraulic Ram - Size 2, 12V	\$2,100.00		\$1,365.00
RAM-T2-24V	Hydraulic Ram - Size 2, 24V	\$2,100.00		\$1,365.00

PUMP DRIVES AND SPARES				
PMP-SPRS-T1	Spares Kit for PMP-T1-12V, PMP-T2-12V	\$140.00		\$91.00
PMP-T1-12V	Hydraulic Pump - Size 1, 12V	\$900.00		\$585.00
PMP-T2-12V	Hydraulic Pump - Size 2, 12V	\$990.00		\$643.50
PMP-T2-24V	Hydraulic Pump - Size 2, 24V	\$990.00		\$643.50

MOTOR SPARES				
MOTOR-SPARE-1	Replacement motor for RAM-T1-12V, RAM-T2-12V	\$500.00		\$325.00
MOTOR-SPARE-2	Replacement motor for PMP-T1-12V, PMP-T2-12V	\$500.00		\$325.00

COMPASS				
H1000-CSU	H1000 Compass Sensor Unit	\$499.00		\$324.35

INTERFACE BOXES				
H1000-HUB	4 Way FastNet2 Hub	\$69.00		\$44.85
H1000-UNI	H1000 Universal Interface Box	\$199.00		\$129.35

ORDER: H1000 PILOT SYSTEMS **LIST** **NET**

PILOT BASE PACK

H1000-ACPC	H1000 Pilot System (No Drive)		\$2,726.00	\$1,771.90
1	H1000-ACP1C	H1000 Pilot Base Pack		
1	H1000-HC10	H1000 FastNet2 Cable - 10.0m		
1	H1000-HC15	H1000 FastNet2 Cable - 15.0m		
1	H1000-HC2	H1000 FastNet2 Cable - 2.0m		
1	H1000-HCP	H1000 12V Power Cable - 0.5m		

PILOT DRIVE PACKS

HYDRAULIC LINEAR DRIVE FOR MECHANICAL STEERING (Includes Power Cable, Solenoid Cable & Drive Unit)

PILOT-RAM0	RAM Pack, Pilot Type 0, 12V/AJ	\$1,803.00	\$1,171.95
PILOT-RAM1	RAM Pack, Pilot Type 1, 12V/AJ	\$2,003.00	\$1,301.95
PILOT-RAM2	RAM Pack, Pilot Type 2, 12V/AJ	\$2,303.00	\$1,496.95

REVERSING PUMP FOR HYDRAULIC STEERING (Includes Power Cable, Thread Adapter Kit, and Pump)

PILOT-PUMP1	Pump Pack, Pilot Type 1, 12V	\$982.00	\$638.30
PILOT-PUMP2	Pump Pack, Pilot Type 2, 12V	\$1,072.00	\$696.80

PILOT DRIVE RUDDER FEEDBACK OPTIONS

LFB-ACP-PK	Pilot Linear Feedback Sensor w/ Mounting Kit	\$390.00	\$253.50
RRF-ACP	Pilot Rotary Reference Sensor	\$225.00	\$146.25
NET-LFB	Pilot Linear Feedback Unit Only	\$350.00	\$227.50
NET-LFB/IO	Pilot Linear Feedback Sensor, Outboard	\$350.00	\$227.50
NET-LFBKIT	Net-LFB Install Kit	\$40.00	\$26.00
SEN-RUD-LFB	Pilot Linear Feedback UK Version	\$475.00	\$308.75

ACCESSORIES

PLHH-ACP	Pilot Handheld Control Unit	\$175.00	\$113.75
545-00-060	Pilot Joystick Pack	\$550.00	\$357.50
PILOT-MOB	Man Over Board Pack (Includes MOB Button & J-Box)	\$209.00	\$135.85

(Note: Base Pack, Drive System, & Rudder Feedback Required for Complete System)

H2000 INSTRUMENT KIT COMPONENTS & SERVICE PARTS **LIST** **NET**

ALARM

130-00-045	Alarm, H2000 Sonalert	\$76.00	\$49.40
------------	-----------------------	---------	---------

FASTNET STANDARD CABLE

135-0A-130	FastNet Data Cable 10m 4-Core screened twisted pair	\$103.00	\$66.95
135-0A-170	FastNet Data Cable 2m 4-Core screened twisted pair	\$16.00	\$10.40
135-0B-130	FastNet Data Cable 20m 4-Core screened twisted pair	\$205.00	\$133.25

FASTNET CUSTOM CABLE

047-03333/100M	4-Core screened twisted pair cable (Fastnet) 100m	\$608.00	\$395.20
047-03333/200M	4-Core screened twisted pair cable (Fastnet) 200m	\$1,215.00	\$789.75
047-03333/30M	4-Core screened twisted pair cable (Fastnet) 30m	\$183.00	\$118.95
047-03333/50M	4-Core screened twisted pair cable (Fastnet) 50m	\$305.00	\$198.25

JUNCTION BOXES

386-00-023	Junction Box, 18 Terminal	\$60.00	\$39.00
288-00-001	Junction Box, 7 Terminal	\$47.00	\$30.55

NMEA CABLE

135-0A-098	NMEA 2-Core screened cable 4m	\$39.00	\$25.35
135-0B-098	NMEA 2-Core screened cable 8m	\$64.00	\$41.60

POWER CABLE

135-0A-096	Power Supply Cable 3m - 0.5mm2, 2-core (also Pilot solenoid cable)	\$19.00	\$12.35
135-0B-096	Power Supply Cable 15m - 0.5mm2, 2-core (also Pilot solenoid cable)	\$40.00	\$26.00
135-0C-096	Power Supply Cable 9m - 0.5mm2, 2-core (also Pilot solenoid cable)	\$28.00	\$18.20

BULK CABLE

047-00794/100M	2-Core screened cable (Depth, Power, NMEA) 100m	\$270.00	\$175.50
047-00794/200M	2-Core screened cable (Depth, Power, NMEA) 200m	\$540.00	\$351.00

PROCESSORS

BGH130001	H2000 Main Processor MP Enhanced	\$2,999.00	\$1,949.35
330-00-005	Hydra Main Processor	\$1,550.00	\$1,007.50
890-00-042	Hercules 2000 Performance Processor	\$4,799.00	\$3,119.35
921-00-005	HS 2000 Main Processor	\$999.00	\$649.35

PROCESSOR BOARDS

401-10-001	Hydra/Hercules Depth PCB	\$914.00	\$594.10
402-10-005	Hydra/Hercules Wind PCB	\$914.00	\$594.10
690-10-013	Hercules Performance PCB	\$2,699.00	\$1,754.35
340-00-009	Expansion Processor	\$876.00	\$569.40

RS232 CABLE

135-0A-160	Hercules RS232 Cable	\$84.00	\$54.60
------------	----------------------	---------	---------

SYSTEM TERMINATORS

239-00-099	Terminator, H System, 2 ea.	\$13.00	\$8.45
------------	-----------------------------	---------	--------

USER AND INSTALLATION MANUALS

890-10-013	Dispatch Kit, Hercules 2000	\$51.00	\$33.15
240-10-062	Dispatch Kit, Hydra 2000	\$51.00	\$33.15
240-10-076	Dispatch Kit, HS 2000	\$51.00	\$33.15
240-30-054	Installers Document Pack	\$15.00	\$9.75

REMOTEVISION DISPLAY

BGH120000	RemoteVision Pack incl Base Station	\$1,899.00	\$1,234.35
-----------	-------------------------------------	------------	------------

4040 DISPLAY PACK

BGH080001	40/40 Display Pack	\$5,500.00	\$3,575.00
-----------	--------------------	------------	------------

HERCULES DIGITAL DISPLAY PACKS (Includes Display, Bezel, Fastnet Cable 10m, & J-Box)

HE-FFD-NM	Hercules 2000 NMEA Display Pack	\$1,620.00	\$1,053.00
HE-FFD-PK	Hercules 2000 FFD Display Pack	\$1,418.00	\$921.70
HE-HALCYON	Hercules 2000 Halcyon Display Pack	\$1,370.00	\$890.50
HE-2020-RED	Hercules 2020 Red Display Pack	\$1,778.00	\$1,155.70
HE-2020-RED/S	Hercules 2020 Red Display Pack w/ Switch	\$1,940.00	\$1,261.00
HE-2020-RED/SB	Hercules 2020 Red Display Pack w/ Switch & Bracket	\$2,085.00	\$1,355.25
HE-2020-GRN	Hercules 2020 Green Display Pack	\$1,778.00	\$1,155.70
HE-2020-GRN/S	Hercules 2020 Green Display Pack w/ Switch	\$1,940.00	\$1,261.00
HE-2020-GRN/SB	Hercules 2020 Green Display Pack w/ Switch & Bracket	\$2,085.00	\$1,355.25

HYDRA DIGITAL DISPLAY PACKS (Includes Display, Bezel, Fastnet Cable 10m, & J-Box)

HY-FFD-NM	Hydra 2000 NMEA Display Pack	\$1,618.00	\$1,051.70
HY-FFD-PK	Hydra 2000 FFD Display Pack	\$1,416.00	\$920.40
HY-HALCYON	Hydra 2000 Halcyon Display Pack	\$1,368.00	\$889.20
HY-2020-RED	Hydra 2020 Red Display Pack	\$1,776.00	\$1,154.40
HY-2020-RED/S	Hydra 2020 Red Display Pack w/ Switch	\$1,938.00	\$1,259.70
HY-2020-RED/SB	Hydra 2020 Red Display Pack w/ Switch & Bracket	\$2,083.00	\$1,353.95
HY-2020-GRN	Hydra 2020 Green Display Pack	\$1,776.00	\$1,154.40
HY-2020-GRN/S	Hydra 2020 Green Display Pack w/ Switch	\$1,938.00	\$1,259.70
HY-2020-GRN/SB	Hydra 2020 Green Display Pack w/ Switch & Bracket	\$2,083.00	\$1,353.95

HS2000 DIGITAL DISPLAY PACKS (Includes Display, Bezel, Fastnet Cable 10m, & J-Box)

HS-FFD-NM	HS2000 NMEA Display Pack	\$1,618.00	\$1,051.70
HS-FFD-PK	HS2000 FFD Display Pack	\$1,416.00	\$920.40
HS-HALCYON	HS2000 Halcyon Display Pack	\$1,368.00	\$889.20
HS-2020-RED	HS2000 2020 Red Display Pack	\$1,776.00	\$1,154.40
HS-2020-RED/S	HS2000 2020 Red Display Pack w/ Switch	\$1,938.00	\$1,259.70
HS-2020-GRN	HS2000 2020 Green Display Pack	\$1,776.00	\$1,154.40
HS-2020-GRN/S	HS2000 2020 Green Display Pack w/ Switch	\$1,938.00	\$1,259.70

ANALOG DISPLAY PACKS (Includes Display & Analog Cable 19m)

215-4401-016	Analog Pack Apparent Wind Angle (synchro)	\$744.00	\$483.60
215-4401-017	Analog Pack Magnified Wind Angle (synchro)	\$744.00	\$483.60
215-4401-019	Analog Pack 12.5 Kt Boat Speed (synchro)	\$744.00	\$483.60
215-4401-022	Analog Pack 50 Kt Wind Speed (synchro)	\$744.00	\$483.60
215-4401-025	Analog Pack 200m Depth (synchro)	\$744.00	\$483.60
215-4401-026	Analog Pack ft/fathoms Depth (synchro)	\$744.00	\$483.60
215-4401-058	Analog Pack 25 Kt Boat Speed (synchro)	\$744.00	\$483.60
215-4401-084	Analog Pack, Wind Speed 100 Kts	\$744.00	\$483.60
215-4401-119	Analog Pack Cross Track Error (XTE) (synchro)	\$744.00	\$483.60
215-4401-142	Analog Pack Moving Card Compass (synchro)	\$744.00	\$483.60
215-4401-151	Analog Pack Off Course Indicator (synchro)	\$744.00	\$483.60
215-4401-152	Analog Pack Trend Indicator (synchro)	\$744.00	\$483.60
215-4401-154	Analog Pack 50 Kt Boat Speed (synchro)	\$744.00	\$483.60
215-4401-158	Analog Pack Rudder Angle (synchro)	\$744.00	\$483.60
215-4401-160	Analog Pack Heel Angle (synchro)	\$744.00	\$483.60

BRACKETS

332-00-006	2020/FFD/Halcyon Mast Bracket	\$145.00	\$94.25
332-00-006/USA	2020 Mast Bracket, USA, 4 Display	\$300.00	\$195.00

COVER

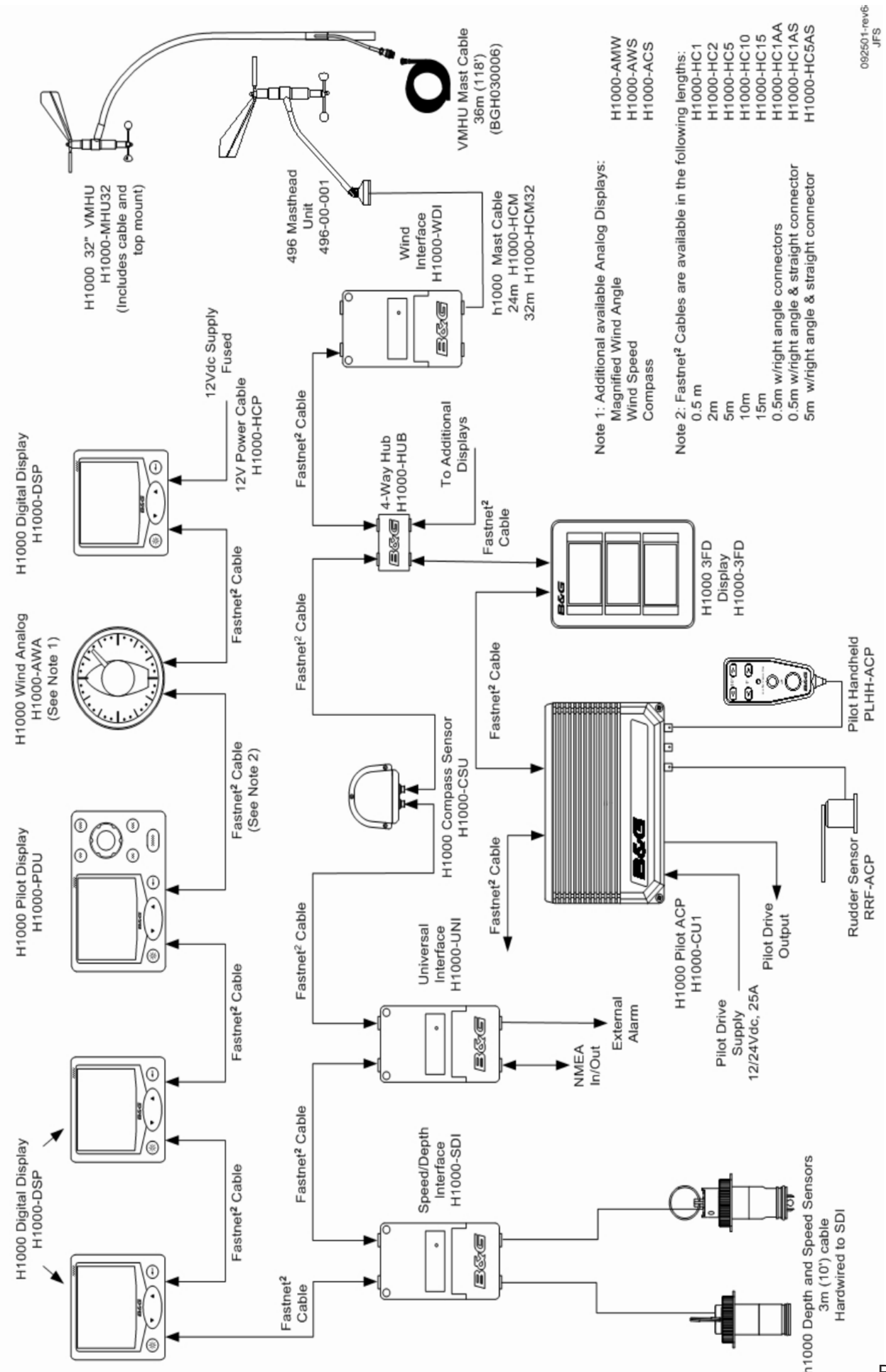
239-20-031	Cover, Full Function Display	\$30.00	\$19.50
------------	------------------------------	---------	---------

PODS

239-00-072	Surface Mount Box (FFD, 20/20, Halcyon, H-Pilot)	\$43.00	\$27.95
239-00-074	Adjustable Mounting Bracket (FFD, 20/20, Halcyon, H-Pilot)	\$145.00	\$94.25



H1000 SYSTEM LAYOUT



ORDER: H1000 CUSTOM INSTRUMENT SYSTEMS **LIST** **NET**

INSTRUMENT BASE PACK (Required)

H1000-DSSP	H1000 Speed and Depth Display Pack (No Sensors) Kit Includes: Digital Display, Spd/Dpt Interface Box, Power & 10m Cable	\$899.00	\$584.35
------------	--	----------	----------

ADDITIONAL DISPLAYS (Cable Required)

H1000-DSP	H1000 Digital Display	\$599.00	\$389.35
H1000-3FD	H1000 3FD (3 Function Display includes 6m Cable)	\$675.00	\$438.75
H1000-ACS	H1000 Analogue Compass Display	\$505.00	\$328.25
H1000-AMW	H1000 Analogue Magnified Wind Angle Display	\$505.00	\$328.25
H1000-AWA	H1000 Analogue Wind Angle Display	\$505.00	\$328.25
H1000-AWS	H1000 Analogue Wind Speed Display	\$505.00	\$328.25

SENSOR SELECTION

WIND

H1000-WDS	H1000 Standard Wind Pack Kit Includes: 496 Masthead Unit, Wind Interface Box, & 24m Mast Cable	\$909.00	\$590.85
H1000-WDS32	H1000 Vertical Wind Pack Kit Includes: 32" Vertical, WDI I/O Box, Mast Cable, & Top Mount Bracket)	\$2,111.00	\$1,372.15

DEPTH

SEN-DPT-AM	H1000 Depth Sensor w/ Bronze Flange Housing	\$254.00	\$165.10
SEN-DPT-AMF	H1000 Depth Sensor w/ Bronze Flush Housing	\$264.00	\$171.60
SEN-DPT-AP	H1000 Depth Sensor w/ Plastic Flange Housing	\$186.00	\$120.90
SEN-DPT-APF	H1000 Depth Sensor w/ Plastic Flush Housing	\$191.00	\$124.15
SEN-DPT-LRAT	H1000 Long Reach Sensor w/ Bronze Flush Housing	\$375.00	\$243.75

SPEED

SEN-SPD-AM	H1000 Speed Sensor w/ Bronze Flange Housing	\$140.00	\$91.00
SEN-SPD-AMF	H1000 Speed Sensor w/ Bronze Flush Housing	\$150.00	\$97.50
SEN-SPD-AP	H1000 Speed Sensor w/ Plastic Flange Housing	\$72.00	\$46.80
SEN-SPD-APF	H1000 Speed Sensor w/ Plastic Flush Housing	\$77.00	\$50.05
SEN-SPD-LRA	H1000 Long Reach Retractable Speed, Type A	\$396.00	\$257.40

CABLES

H1000-HC1	H1000 FastNet2 Cable - 0.5m	\$25.00	\$16.25
H1000-HC2	H1000 FastNet2 Cable - 2.0m	\$25.00	\$16.25
H1000-HC5	H1000 FastNet2 Cable - 5.0m	\$30.00	\$19.50
H1000-HC10	H1000 FastNet2 Cable - 10.0m	\$40.00	\$26.00
H1000-HC15	H1000 FastNet2 Cable - 15.0m	\$45.00	\$29.25
H1000-HC1AA	H1000 FastNet2 Cable - 0.5m - Right Angle to Right Angle	\$25.00	\$16.25
H1000-HC1AS	H1000 FastNet2 Cable - 0.5m - Right Angle to Straight	\$25.00	\$16.25
H1000-HC5AS	H1000 FastNet2 Cable - 5.0m - Right Angle to Straight	\$45.00	\$29.25
H1000-HCP	H1000 12V Power Cable - 0.5m	\$20.00	\$13.00

BRACKETS

H1000-MB1	H1000 Mast Bracket Kit for 1 Display (Includes 5m Cable)	\$159.00	\$103.35
H1000-MB2	H1000 Mast Bracket Kit for 2 Display (Includes 5m Cable)	\$179.00	\$116.35
H1000-MB2/USA	H1000 Mast Bracket Kit for 2 Display w/ B&G Logo (No Cable)	\$150.00	\$97.50
619-30-026	3FD/Universal 3FD Mast Mounting Bracket	\$135.00	\$87.75
BGH030008	VMU - Top Mounting Bracket	\$159.00	\$103.35

BRACKET DISPLAY PROTECTION BOOT

BGM014100	Cable Protection Boot	\$15.00	\$9.75
-----------	-----------------------	---------	--------

INTERFACE BOXES

H1000-HUB	4 Way FastNet2 Hub	\$69.00	\$44.85
H1000-UNI	H1000 Universal Interface Box	\$199.00	\$129.35

H2000 DISPLAY KIT COMPONENTS & SERVICE PARTS **LIST** **NET**

REMOTEVISION WIRELESS HANDHELD DISPLAY

BGH121001	RemoteVision Base Station Only	\$550.00	\$357.50
BGH121002	RemoteVision Control Unit Only	\$1,500.00	\$975.00
BGH124031	RemoteVision Pack Lanyard	\$30.00	\$19.50
BGH124034	RemoteVision Holster	\$40.00	\$26.00

4040 DISPLAY

BGH081001	40/40 Display Only	\$5,000.00	\$3,250.00
BGH083005	4040 Display Cover	\$75.00	\$48.75
BGH083006	Power Supply Cable 40/40	\$250.00	\$162.50

H2000 FFD DISPLAYS

240-00-026	H2000 Non-NMEA FFD (No Bezel)	\$1,199.00	\$779.35
240-00-028	H2000 NMEA FFD (No Bezel)	\$1,349.00	\$876.85

H2000 FFD BEZELS

890-00-017	Hercules 2000 FFD Bezel	\$69.00	\$44.85
240-00-035	Hydra 2000 FFD Bezel	\$67.00	\$43.55
240-00-073	HS 2000 FFD Bezel	\$67.00	\$43.55

H2000 2020 DISPLAYS

332-00-004	H2000 20/20 Display (Red Backlight)	\$1,559.00	\$1,013.35
332-00-026	H2000 20/20 Display (Green Backlight)	\$1,559.00	\$1,013.35

H2000 2020 BEZELS

890-00-037	Hercules 20/20 Display Bezel	\$69.00	\$44.85
332-00-005	Hydra/HS 20/20 Display Bezel	\$67.00	\$43.55

HALCYON DISPLAY

240-00-031	H2000 Halcyon Display	\$1,151.00	\$748.15
------------	-----------------------	------------	----------

HALCYON BEZELS

890-00-019	Hercules 2000 Halcyon Display Bezel	\$69.00	\$44.85
240-00-045	Hydra 2000 Halcyon Display Bezel	\$67.00	\$43.55

ANALOG DISPLAYS

215-HL-016	Analog 360° Wind Angle (synchro)	\$647.00	\$420.55
215-HL-017	Analog Magnified Wind Angle (synchro)	\$647.00	\$420.55
215-HL-019	Analog 12.5 Kt Boat Speed (synchro)	\$647.00	\$420.55
215-HL-022	Analog 50 Kt Wind Speed (synchro)	\$647.00	\$420.55
215-HL-025	Analog 200m Depth (synchro)	\$647.00	\$420.55
215-HL-026	Analog 100 ft/fathoms Depth (synchro)	\$647.00	\$420.55
215-HL-058	Analog 25 Kt Boat Speed (synchro)	\$647.00	\$420.55
215-HL-084	Analog 100 Knot Beaufort Pac (synchro)	\$647.00	\$420.55
215-HL-119	Analog Cross Track Error (XTE) (synchro)	\$647.00	\$420.55
215-HL-142	Analog Moving Card Compass (synchro)	\$647.00	\$420.55
215-HL-151	Analog Off Course Indicator (synchro)	\$647.00	\$420.55
215-HL-152	Analog Trend Indicator (synchro)	\$647.00	\$420.55
215-HL-154	Analog 50 Kt Boat Speed (synchro)	\$647.00	\$420.55
215-HL-158	Analog Rudder Angle (synchro)	\$647.00	\$420.55
215-HL-160	Analog Heel Angle (synchro)	\$647.00	\$420.55

ANALOG STANDARD CABLE

135-0A-095	7-Core cable (Analogue) 19m	\$97.00	\$63.05
------------	-----------------------------	---------	---------

ANALOG CUSTOM CABLE

047-00803/200M	7-Core cable (Analogue) 200m	\$609.00	\$395.85
047-00803/50M	7-Core cable (Analogue) 50m	\$173.00	\$112.45

SWITCH

302-00-007	Switch, Red Pushbutton	\$162.00	\$105.30
------------	------------------------	----------	----------

ORDER: H2000 SENSOR PACKS	LIST	NET
---------------------------	------	-----

H2000 WIND PACKS (Includes Masthead Unit, Mast Cable, Extension Cable & J-Box)

BGH030000	213 Standard Masthead Unit - Pack	\$1,630.00	\$1,059.50
BGH030001	213 Vertical Masthead Unit - Pack 810mm (32")	\$2,087.00	\$1,356.55
BGH030002	213 Vertical Masthead Unit - Pack 1050mm (42")	\$2,387.00	\$1,551.55
BGH030003	213 Vertical Masthead Unit - Pack 1450mm (57")	\$2,687.00	\$1,746.55
BGH030008	213 Vertical Masthead Unit - Top Mounting Bracket	\$159.00	\$103.35
BGH030009	213 Vertical Masthead Unit - Face Mounting Bracket	\$159.00	\$103.35

LOAD CELL SENSORS

BGH040001	Loadcell 12.7mm (1/2") Pack	\$2,913.00	\$1,893.45
BGH040002	Loadcell 16mm (5/8") Pack	\$3,013.00	\$1,958.45
BGH040003	Loadcell 19mm (3/4") Pack	\$3,113.00	\$2,023.45
BGH040004	Loadcell 23mm (7/8") Pack	\$3,213.00	\$2,088.45
BGH040005	Loadcell 25.4mm (1") Pack	\$3,313.00	\$2,153.45
BGH040006	Loadcell 28.5mm (1 1/8") Pack	\$3,913.00	\$2,543.45
BGH040007	Loadcell 32mm (1 1/4") Pack	\$4,113.00	\$2,673.45

METEOROLOGICAL SENSORS

224-00-065	Sea Temperature Sensor	\$365.00	\$237.25
224-00-066	Air Temperature Sensor	\$405.00	\$263.25
224-00-210	Sea Temperature Sensor, Bronze Thr-Hull	\$205.00	\$133.25
690-00-004	Clinometer Sensor (Heel or Trim)	\$759.00	\$493.35
690-00-005	Humidity Sensor	\$650.00	\$422.50
690-00-007	Barometric Pressure Sensor	\$703.00	\$456.95

COMPASS

BGH060001	Halcyon Gyro-Stabilized Compass System Kit Includes: Halcyon Gyro Compass & Processor Pack	\$3,699.00	\$2,404.35
BGH060002	Halcyon Gyro-Stabilized Compass Sensor Unit Only [For Direct Input into Enhanced Pilot Processor-BGH063001 Cable Required]	\$2,199.00	\$1,429.35
486-00-009	Halcyon 2000 Compass Sensor	\$879.00	\$571.35

H1000 INSTRUMENT KIT COMPONENTS & SERVICE PARTS	LIST	NET
---	------	-----

ADDITIONAL DISPLAYS

H1000-DSP	H1000 Digital Display	\$599.00	\$389.35
H1000-3FD	H1000 3FD (3 Function Display includes 6m Cable)	\$675.00	\$438.75
H1000-ACS	H1000 Analogue Compass Display	\$505.00	\$328.25
H1000-AMW	H1000 Analogue Magnified Wind Angle Display	\$505.00	\$328.25
H1000-AWA	H1000 Analogue Wind Angle Display	\$505.00	\$328.25
H1000-AWS	H1000 Analogue Wind Speed Display	\$505.00	\$328.25

INTERFACE BOXES

H1000-HUB	4 Way FastNet2 Hub	\$69.00	\$44.85
H1000-UNI	H1000 Universal Interface Box	\$199.00	\$129.35
H1000-SDI	H1000 Speed Depth Interface Box	\$250.00	\$162.50
H1000-WDI	H1000 Wind Interface Box	\$209.00	\$135.85

CABLE

H1000-HC1	H1000 FastNet2 Cable - 0.5m	\$25.00	\$16.25
H1000-HC2	H1000 FastNet2 Cable - 2.0m	\$25.00	\$16.25
H1000-HC5	H1000 FastNet2 Cable - 5.0m	\$30.00	\$19.50
H1000-HC10	H1000 FastNet2 Cable - 10.0m	\$40.00	\$26.00
H1000-HC15	H1000 FastNet2 Cable - 15.0m	\$45.00	\$29.25
H1000-HC1AA	H1000 FastNet2 Cable - 0.5m - Right Angle to Right Angle	\$25.00	\$16.25
H1000-HC1AS	H1000 FastNet2 Cable - 0.5m - Right Angle to Straight	\$25.00	\$16.25
H1000-HC5AS	H1000 FastNet2 Cable - 5.0m - Right Angle to Straight	\$45.00	\$29.25
H1000-HCP	H1000 12V Power Cable - 0.5m	\$20.00	\$13.00

MAST CABLE

H1000-HCM32	H1000 Masthead Cable - 32m	\$159.00	\$103.35
H1000-HCM24	H1000 Masthead Cable - 24m	\$135.00	\$87.75

MASTHEAD UNIT

H1000-MHU32	H1000 32" Vertical Masthead Unit	\$1,515.00	\$984.75
496-00-001	H1000 496 Masthead Unit	\$565.00	\$367.25

BRACKETS

H1000-MB1	H1000 Mast Bracket Kit for 1 Display	\$159.00	\$103.35
H1000-MB2	H1000 Mast Bracket Kit for 2 Display	\$179.00	\$116.35
H1000-MB2/USA	H1000 Mast Bracket Kit for 2 Display w/ B&G Logo	\$150.00	\$97.50
619-30-026	3FD/Universal 3FD Mast Mounting Bracket	\$135.00	\$87.75
BGH030008	Vertical Masthead Unit - Top Mounting Bracket	\$159.00	\$103.35

BRACKET DISPLAY PROTECTION BOOT

BGM014100	Cable Protection Boot	\$15.00	\$9.75
-----------	-----------------------	---------	--------

BEZELS

BGM013022	H1000 Round Analogue Display - Sun Cover	\$15.00	\$9.75
BGM013024	H1000 Square Analogue Bezel	\$25.00	\$16.25

SENSORS

5041-00201	Hull Hsg, A, Plastic Flange	\$7.00	\$4.55
650-AA-330A	Sensor, ACTIVE Depth, H1000	\$179.00	\$116.35
650-AA-310	Sensor Only, Spd, H1000	\$65.00	\$42.25

COMPASS

H1000-CSU	H1000 Compass Sensor Unit	\$499.00	\$324.35
-----------	---------------------------	----------	----------

ORDER: H1000 INSTRUMENT SYSTEM PACKS **LIST** **NET**

H1000-DSSP-SD H1000 Speed & Depth Display Pack			\$1,157.00	\$752.05
2	5041-00201	Hull Hsg, A, Plastic Flange		
1	650-AA-310	Sensor Only, Spd, H1000		
1	650-AA-330A	Sensor, ACTIVE Depth, H1000		
1	H1000-DSSP	H1000 Speed and Depth Pack		

H1000-DSSP-W H1000 Speed, Depth & Wind Display Pack			\$2,066.00	\$1,342.90
2	5041-00201	Hull Hsg, A, Plastic Flange		
1	650-AA-310	Sensor Only, Spd, H1000		
1	650-AA-330A	Sensor, ACTIVE Depth, H1000		
1	H1000-DSSP	H1000 Speed and Depth Pack		
1	H1000-WDS	H1000 Wind Pack		

H1000-DSP-N H1000 NMEA Repeater			\$843.00	\$547.95
1	H1000-DSP	H1000 Digital Display		
1	H1000-HC1	H1000 FastNet2 Cable - 0.5m		
1	H1000-HCP	H1000 12V Power Cable - 0.5m		
1	H1000-UNI	H1000 Universal Interface Box		

H1000-DSSP-N H1000 Speed & Depth Display Pack w/ NMEA I/O			\$1,406.00	\$913.90
2	5041-00201	Hull Hsg, A, Plastic Flange		
1	650-AA-310	Sensor Only, Spd, H1000		
1	650-AA-330A	Sensor, ACTIVE Depth, H1000		
1	H1000-DSSP	H1000 Speed and Depth Pack		
2	H1000-HC1	H1000 FastNet2 Cable - 0.5m		
1	H1000-UNI	H1000 Universal Interface Box		

H1000-DSSP-WN H1000 Speed, Depth & Wind Display Pack w/ NMEA I/O			\$2,295.00	\$1,491.75
2	5041-00201	Hull Hsg, A, Plastic Flange		
1	650-AA-310	Sensor Only, Spd, H1000		
1	650-AA-330A	Sensor, ACTIVE Depth, H1000		
1	H1000-DSSP	H1000 Speed and Depth Pack		
1	H1000-HC5	H1000 FastNet2 Cable - 5m		
1	H1000-UNI	H1000 Universal Interface Box		
1	H1000-WDS	H1000 Wind Pack		

H1000-DSSP-WNC H1000 Speed, Depth, Wind & Compass Display Pack w/ NMEA I/O			\$2,849.00	\$1,851.85
2	5041-00201	Hull Hsg, A, Plastic Flange		
1	650-AA-310	Sensor Only, Spd, H1000		
1	650-AA-330A	Sensor, ACTIVE Depth, H1000		
1	H1000-CSU	H1000 Compass Sensor Unit		
1	H1000-DSSP	H1000 Speed and Depth Pack		
1	H1000-HC1	H1000 FastNet2 Cable - 0.5m		
2	H1000-HC5	H1000 FastNet2 Cable - 5m		
1	H1000-UNI	H1000 Universal Interface Box		
1	H1000-WDS	H1000 Wind Pack		

ADD-ON DISPLAYS (Cable Required for each Display)

H1000-DSP	H1000 Digital Display	\$599.00	\$389.35
H1000-3FD	H1000 3FD (3 Function Display includes 6m Cable)	\$675.00	\$438.75
H1000-ACS	H1000 Analogue Compass Display	\$505.00	\$328.25
H1000-AMW	H1000 Analogue Magnified Wind Angle Display	\$505.00	\$328.25
H1000-AWA	H1000 Analogue Wind Angle Display	\$505.00	\$328.25
H1000-AWS	H1000 Analogue Wind Speed Display	\$505.00	\$328.25

MASTHEAD UNIT KIT COMPONENTS & SERVICE PARTS **LIST** **NET**

MASTHEAD UNITS			
213-00-002	213 Masthead Unit - Standard Version	\$1,193.00	\$775.45
BGH031001	213 Vertical Masthead Unit - 810mm (32")	\$1,650.00	\$1,072.50
BGH031002	213 Vertical Masthead Unit - 1050mm (42")	\$1,950.00	\$1,267.50
BGH031003	213 Vertical Masthead Unit - 1450mm (57")	\$2,250.00	\$1,462.50
BGH031010	213 Vertical Masthead Unit - 1800mm (71")	\$3,150.00	\$2,047.50

MASTHEAD CABLE			
135-0A-097	213 Mastbase to Processor Cable 9m	\$39.00	\$25.35
178-0B-001	213 Masthead Unit - Standard Cable and Bracket 24m	\$389.00	\$252.85
178-0C-001	213 Masthead Unit - Standard Cable and Bracket 30m	\$443.00	\$287.95
178-0D-001	213 Masthead Unit - Standard Cable and Bracket 36m	\$529.00	\$343.85
178-0D-040	213 Masthead Unit - Lightweight Cable and Bracket 36m	\$853.00	\$554.45
178-0X-001	213 Masthead Unit - Standard Cable and Bracket 50m	\$643.00	\$417.95
BGH030006	213 Vertical Masthead Unit - Cable 36m Lightweight	\$351.00	\$228.15

MASTHEAD UNIT REPLACEMENT PARTS			
042-01142	Nut, MHU, 213/496, black acorn	\$2.00	\$1.30
042-01678	Washer, MHU, 213/496, white	\$1.00	\$0.65
042-02434	Nut, MHU 213/496, white	\$1.00	\$0.65
044-02244	O Ring, MHU 213/496, small	\$1.00	\$0.65
044-02249	O Ring, MHU 213/496, medium	\$1.00	\$0.65
044-02250	O Ring, MHU 213/496, large	\$1.00	\$0.65
178-10-028	Wind Vane, C Type, Gold	\$109.00	\$70.85
178-30-023	Nut, 213 MHU Bracket	\$14.00	\$9.10
213-10-001	213 PCB	\$410.00	\$266.50
213-10-003	213 Spar Assembly (Standard Version)	\$437.00	\$284.05
213-10-004	213/496 Wind Direction Bearing Assembly	\$125.00	\$81.25
213-10-038	213/496 Anemometer Bearing Assembly	\$129.00	\$83.85
213-10-039	213 Bracket Conversion Kit for C-Type cable	\$64.00	\$41.60
213-10-046	Skirt Assembly	\$43.00	\$27.95
213-10-056	213/496 Windvane Assembly	\$95.00	\$61.75
213-20-029	213 Masthead unit bracket	\$75.00	\$48.75
213-30-008	Masthead Support	\$12.00	\$7.80
213-30-027	213/496 Anemometer Cups	\$48.00	\$31.20

CUSTOM MAST CABLE			
047-04525/100M	6-Core screened cable (Masthead) 100m	\$350.00	\$227.50
047-04525/25M	6-Core screened cable (Masthead) 25m	\$80.00	\$52.00
047-04525/50M	6-Core screened cable (Masthead) 50m	\$175.00	\$113.75

LOAD CELL SERVICE PARTS			
BGH040028	Digital Loadcell Amplifier	\$1,000.00	\$650.00
BGH041001	Loadcell only 12.7mm (1/2")	\$1,850.00	\$1,202.50
BGH041002	Loadcell only 16mm (5/8")	\$1,950.00	\$1,267.50
BGH041003	Loadcell only 19mm (3/4")	\$2,050.00	\$1,332.50
BGH041004	Loadcell only 23mm (7/8")	\$2,150.00	\$1,397.50
BGH041005	Loadcell only 25.4mm (1")	\$2,250.00	\$1,462.50
BGH041006	Loadcell only 28.5mm (1 1/8")	\$2,850.00	\$1,852.50
BGH041007	Loadcell only 32mm (1 1/4")	\$3,050.00	\$1,982.50

COMPASS			
BGH060002	Gyro Compass. Sensor Only	\$2,199.00	\$1,429.35
BGH061001	Halycon Gyro Processor Only	\$1,250.00	\$812.50
BGH060003	Processor Pack, Halycon with Cable	\$1,500.00	\$975.00
BGH063001	Halycon Gyro Interfce Cable	\$250.00	\$162.50
486-00-009	Halycon 2000 Compass	\$879.00	\$571.35
486-0A-004	Halcyon 2000 Compass Cable 2m	\$55.00	\$35.75
486-0B-004	Halcyon 2000 Compass Cable 4m	\$83.00	\$53.95

ORDER: H2000 SPEED & DEPTH TRANSDUCER SELECTION

LIST NET

H2000 SPEED & DEPTH SENSOR PACKS

SEN-DPT-HP	H2000 Depth Sensor w/ Plastic Flange Housing, Type A	\$102.00	\$66.30
SEN-SPD-HP	H2000 Speed Sensor w/ Plastic Flange Housing, Type A	\$102.00	\$66.30
SEN-DPT-HPF	H2000 Depth Sensor w/ Plastic Flush Housing, Type A	\$107.00	\$69.55
SEN-SPD-HPF	H2000 Speed Sensor w/ Plastic Flush Housing, Type A	\$107.00	\$69.55
SEN-DPT-HM	H2000 Depth Sensor w/ Bronze Flange Housing, Type A	\$170.00	\$110.50
SEN-SPD-HM	H2000 Speed Sensor w/ Bronze Flange Housing, Type A	\$170.00	\$110.50
SEN-DPT-HMF	H2000 Depth Sensor w/ Bronze Flush Housing, Type A	\$180.00	\$117.00
SEN-SPD-HMF	H2000 Speed Sensor w/ Bronze Flush Housing, Type A	\$180.00	\$117.00
SEN-DPT-LRA	H2000 Long Reach Retractable Depth, Type A (Depth Sensor 170khz, Bronze Hsg, Fairing Block, Retractable Plug)	\$428.00	\$278.20
SEN-SPD-LRA	H2000 Long Reach Retractable Speed, Type A (Speed Sensor, Bronze Hsg, Retractable Plug)	\$396.00	\$257.40

XTL FIN SENSOR PACK

254-1400-990	XTL Fin - Processor Pack w/o Sensor Kit Includes: (2)135-0A-106, (1) Each 135-0B-096, 254-00-024, 275-00-038	\$1,737.00	\$1,129.05
--------------	---	------------	------------

XTL SENSORS

275-00-001	XTL Fin - Bronze Studs, Standard Length, Speed and Depth	\$1,599.00	\$1,039.35
275-00-031	XTL Fin - Bronze Studs, Extended Length, Speed and Depth	\$1,599.00	\$1,039.35
275-00-046	XTL Fin - Stainless Studs, Standard Length, Speed and Depth	\$1,599.00	\$1,039.35
275-00-056	XTL Fin - Stainless Studs, Extended Length, Speed and Depth	\$1,699.00	\$1,104.35
275-00-017	XTL Fin - Bronze Studs, Standard Length, Speed only	\$1,299.00	\$844.35
275-00-027	XTL Fin - Insulation Kit (Required for Steel Hulls)	\$129.00	\$83.85

SHUT-OFF VALVE SENSOR PACKS

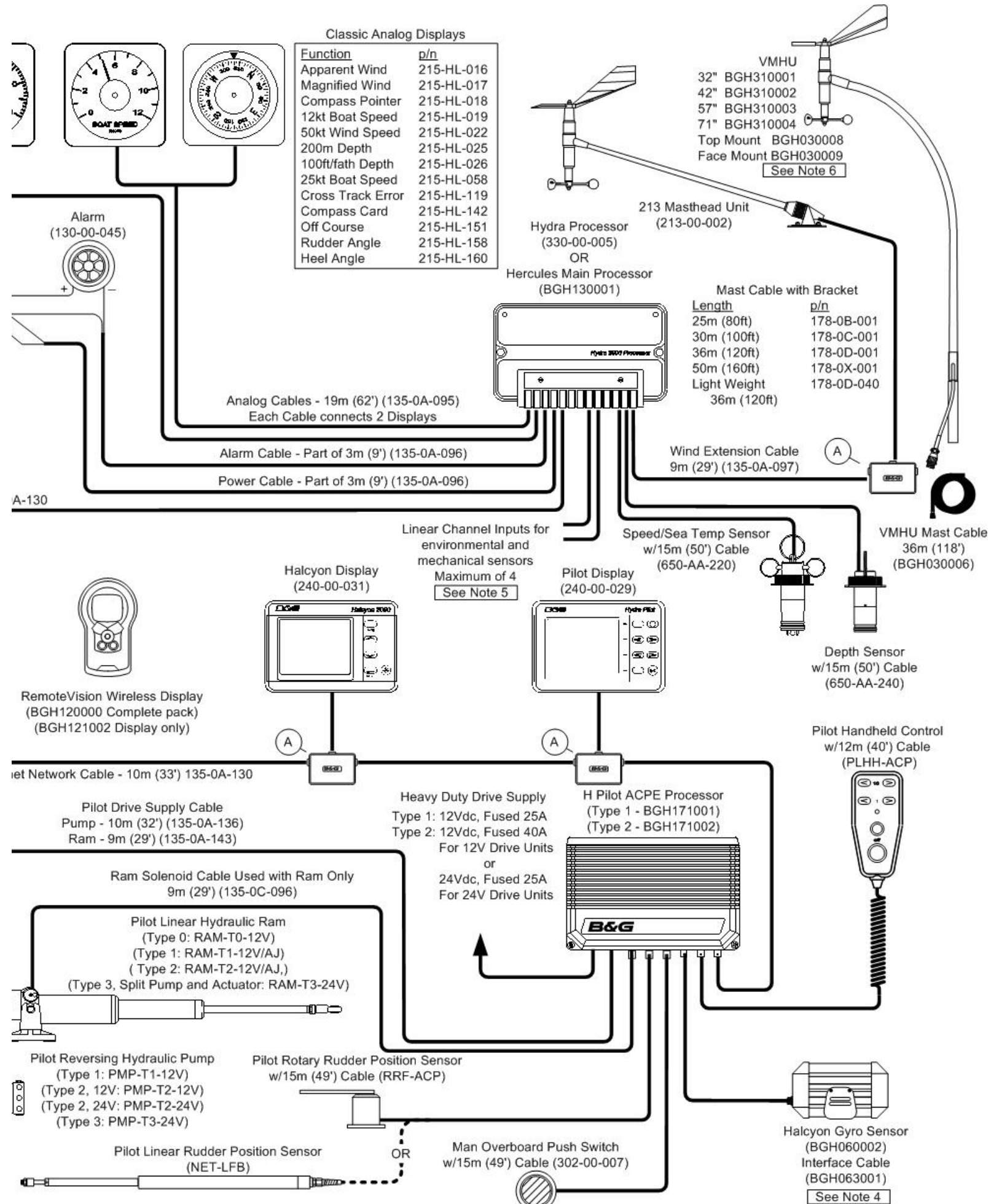
SEN-SPD-SOV	H2000 Retractable Speed Sensor w/Shut of Valve, Type B Kit Includes: (1) Each 202-00-064, 155-00-025	\$2,499.00	\$1,624.35
SEN-DPT-SOV	H2000 Retractable Depth Sensor w/Shut of Valve, Type B Kit Includes: (1) Each 157-34AA-038, 155-00-025, 135-140A-077	\$2,254.00	\$1,465.10

ULTRASONIC SPEED

BGH070001	Ultrasonic Speed Sensor	\$600.00	\$390.00
-----------	-------------------------	----------	----------

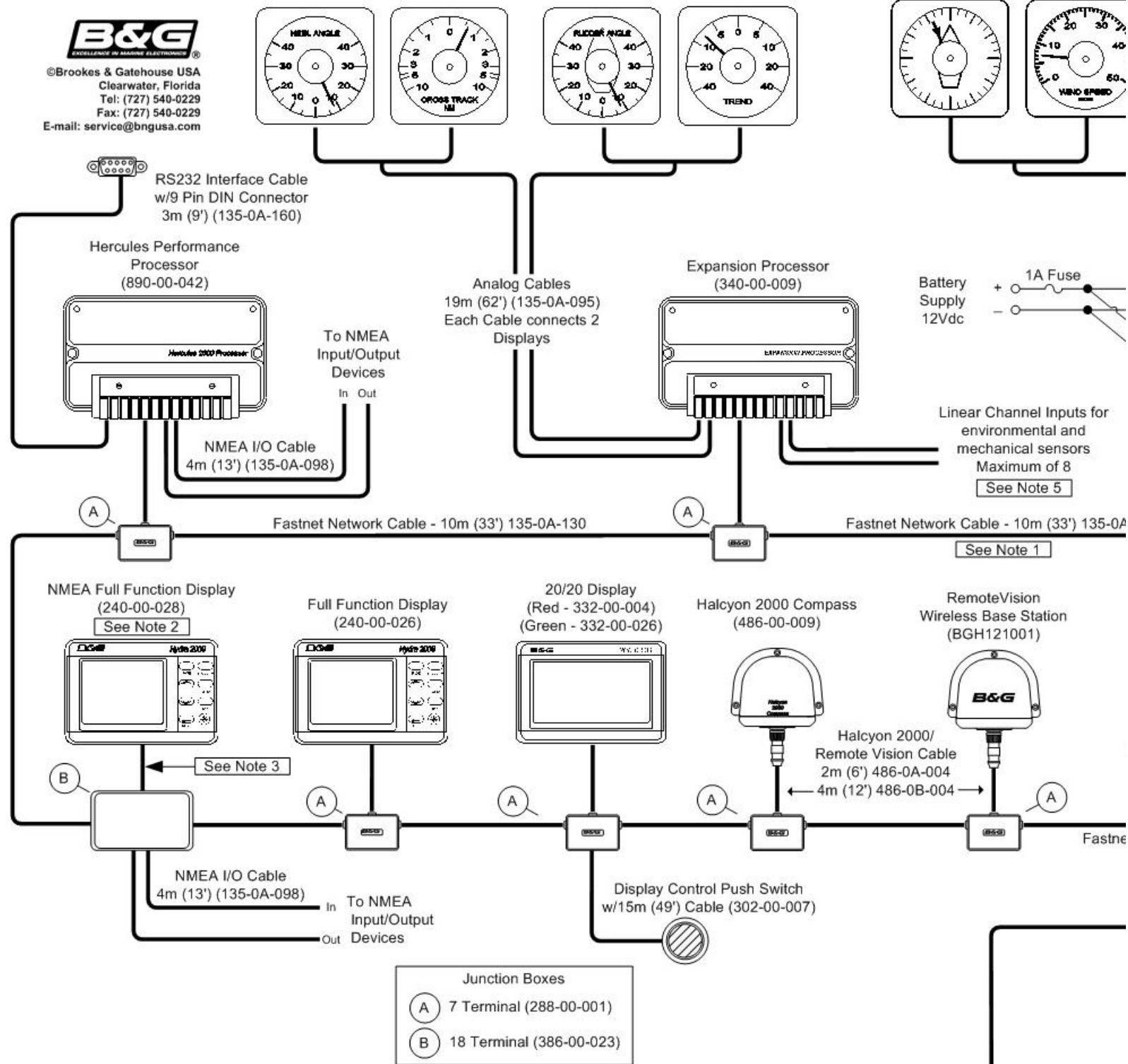
SWITCHES

190-00-146	Automatic Gravity Changeover Switch	\$637.00	\$414.05
253-00-008	Sonic to Paddle Changeover Switch	\$632.00	\$410.80



Hydra/Hercules 2000 System Layout

B&G
 CHALLENGE IN MARINE ELECTRONICS
 ©Brookes & Gatehouse USA
 Clearwater, Florida
 Tel: (727) 540-0229
 Fax: (727) 540-0229
 E-mail: service@bngusa.com



- Notes:
1. Fastnet Network cable is supplied standard as 10m (33') length (135-0A-130) and is also available in 20m (65') (135-0B-130) and 100m (328') bulk roll (47BJ-03333)
 2. The NMEA FFD (Full Function Display) (240-00-028) is not used when the Hercules Performance Processor (890-00-042) is part of the instrument system. The NMEA input and output functions are provided by the Performance Processor.
 3. All digital displays are supplied with 3m (9') of Fastnet Network Cable attached. Includes NMEA FFD, Standard FFD, 20/20 Displays, Halcyon Display, and H Pilot Display.
 4. The Halcyon Gyro (BGH060002) is highly recommended but not required when the system includes a Halcyon 2000 Compass (486-00-009). Pilot heading information will be provided by the Halcyon Compass.
 5. The following environmental and mechanical sensors are available from B&G:
 - Air Temperature (224-00-066)
 - Barometric Pressure (690-00-007)
 - Clinometer (f/Heel or Trim) (690-00-004)
 - Humidity (690-00-005)
 - Mechanical Position (Rotary Sensor) (RRF-ACP)
 - Sea Temperature (224-00-210)
 6. VMHU part numbers listed are for spar only. Refer to order guide for pack part numbers.

H2000 SPEED & DEPTH KIT COMPONENTS & SERVICE PARTS

LIST

NET

HULL HOUSINGS

5041-00101	Hull Hsg, A, Bronze Flange	\$75.00	\$48.75
5041-00201	Hull Hsg, A, Plastic Flange	\$7.00	\$4.55
5041-00301	Hull Hsg, A, Bronze Flush	\$85.00	\$55.25
5041-00401	Hull Hsg, A, Plastic Flush	\$12.00	\$7.80

STANDARD SENSORS

650-AA-220	Snsr, Spd, H, A	\$95.00	\$61.75
650-AA-240	Snsr, Dpt, H, A	\$95.00	\$61.75

SOV RETRACTABLE SENSOR

155-00-025	SOV Housing	\$1,220.00	\$793.00
157-34AA-038	Depth Transducer for SOV housing	\$835.00	\$542.75
157-34BA-038	Depth Transducer for SOV housing (Long Reach)	\$835.00	\$542.75
202-00-064	Speed Sensor (paddlewheel) for Shut Off Valve housing	\$1,279.00	\$831.35
135-140A-077	Cable, SOV Dpt, w/plug 10m	\$199.00	\$129.35
155-30-107	SOV Insulation Kit	\$206.00	\$133.90

LONG REACH SENSORS

650-AA-430	Snsr, Depth Long Reach	\$140.00	\$91.00
33-470-01	Hull Hsg, Bronze	Pending	Pending
33-414	Plug Kit	Pending	Pending
33-409-1	Fairing Block	Pending	Pending

ULTRASONIC SPEED SENSOR

BGH074006	UltraSonic Spare Plastic Installation Kit	Pending	Pending
BGH074003	UltraSonic Junction Box Spare	Pending	Pending
BGH074001	UltraSonic Transducer Insert	\$439.00	\$285.35

MICRO-SONIC SPEED SENSOR

254-00-024	Microsonic Speed Processor	\$1,414.00	\$919.10
254-10-001	Microsonic Speed Processor PCB	\$963.00	\$625.95
275-00-027	Insulation Kit, XTL Fin	\$129.00	\$83.85
275-00-038	XTL Fin - Fairing Block	\$179.00	\$116.35
135-0A-106	Sonic Speed to Processor Cable, 9m	\$52.00	\$33.80
135-0B-096	Power Supply Cable 15m - 0.5mm2, 2-core (also Pilot solenoid cable)	\$40.00	\$26.00

OTHER SENSOR SERVICE PARTS

SONIC SPEED

184-10-056	Dispatch Kit, Sonic Speed	\$26.00	\$16.90
184-10-020	Sonic Speed PCB	\$894.00	\$581.10
184-00-024	Sonic Speed Processor	\$1,525.00	\$991.25
184-00-081	Sensor, Sonic Speed (Set)	\$384.00	\$249.60

SPEED UNDERWATER UNIT

117-00-046	Kemetal UWU Housing	\$161.00	\$104.65
117-10-151	Weed Deflector, H, UWU PI	\$20.00	\$13.00
117-00-120	Speed Sensor, Impeller Type, UWU	\$327.00	\$212.55
117-00-124	Speed Sensor, Impeller Type, UWU for Shut-Off Valve	\$951.00	\$618.15

ORDER: H2000 PILOT SYSTEMS**LIST NET****H2000 PILOT BASE PACKS (Includes Pilot Display, Bezel, Processor, Dispatch Kit, J-Box & Cable)**

HE-ACP1-PKE	Hercules 2000 Type 1 Pilot Base Pack	\$2,975.00	\$1,933.75
HE-ACP2-PKE	Hercules 2000 Type 2 Pilot Base Pack	\$4,375.00	\$2,843.75
HY-ACP1-PKE	Hydra 2000 Type 1 Pilot Base Pack	\$2,973.00	\$1,932.45
HY-ACP2-PKE	Hydra 2000 Type 2 Pilot Base Pack	\$4,373.00	\$2,842.45
HS-ACP1-PKE	HS2000 Type 1 Pilot Base Pack	\$2,973.00	\$1,932.45
HS-ACP2-PKE	HS2000 Type 2 Pilot Base Pack	\$4,373.00	\$2,842.45

H2000 PILOT DISPLAYS

BGH120000	RemoteVision Pack incl Base Station	\$1,899.00	\$1,234.35
HE-PILOT-DISP	Hercules 2000 Pilot Display Pack	\$1,378.00	\$895.70
HY-PILOT-DISP	Hydra 2000 Pilot Display Pack	\$1,376.00	\$894.40
HS-PILOT-DISP	HS2000 Pilot Display Pack	\$1,376.00	\$894.40

PILOT DRIVE PACKS**HYDRAULIC LINEAR DRIVE FOR MECHANICAL STEERING (Includes Power Cable, Solenoid Cable & Drive Unit)**

PILOT-RAM0	RAM Pack, Pilot Type 0, 12V/AJ	\$1,803.00	\$1,171.95
PILOT-RAM1	RAM Pack, Pilot Type 1, 12V/AJ	\$2,003.00	\$1,301.95
PILOT-RAM2	RAM Pack, Pilot Type 2, 12V/AJ	\$2,303.00	\$1,496.95
PILOT-RAM3	RAM Pack, Pilot Type 3, 24V	\$2,703.00	\$1,756.95
PILOT-RAM4	RAM Pack, Pilot Type 4, 24V	\$8,603.00	\$5,591.95

REVERSING PUMP FOR HYDRAULIC STEERING (Includes Power Cable, Thread Adapter Kit, and Pump)

PILOT-PUMP1	Pump Pack, Pilot Type 1, 12V	\$982.00	\$638.30
PILOT-PUMP2	Pump Pack, Pilot Type 2, 12V	\$1,072.00	\$696.80
PILOT-PUMP3	Pump Pack, Pilot Type 3, 24V	\$1,072.00	\$696.80

COMPASS

BGH060001	Halcyon Gyro-Stabilized Compass System Kit Includes: Halcyon Gyro Compass & Processor Pack	\$3,699.00	\$2,404.35
BGH060002	Halcyon Gyro-Stabilized Compass Sensor Unit Only [For Direct Input into Enhanced Pilot Processor-BGH063001 Cable Required]	\$2,199.00	\$1,429.35
486-00-009	Halcyon 2000 Compass Sensor	\$879.00	\$571.35

RUDDER FEEDBACK OPTIONS

LFB-ACP-PK	Pilot Linear Feedback Sensor w/ Mounting Kit	\$390.00	\$253.50
RRF-ACP	Pilot Rotary Reference Sensor	\$225.00	\$146.25
NET-LFB	Pilot Linear Feedback Unit Only	\$350.00	\$227.50
SEN-RUD-LFB	Pilot Linear Feedback UK Version	\$475.00	\$308.75
NET-LFBKIT	Net-LFB Install Kit	\$40.00	\$26.00

ACCESSORIES

PLHH-ACP	Pilot Handheld Control Unit	\$175.00	\$113.75
545-00-060	Pilot Joystick Pack	\$550.00	\$357.50
PILOT-MOB	Man Over Board Pack (Includes Man Overboard Button & J-Box)	\$209.00	\$135.85

(Note: Base Pack, Drive System, Compass, & Rudder Feedback Required for Complete System)

H2000 PILOT PACK KIT COMPONENTS & SERVICE PARTS**LIST NET****PILOT DISPLAYS**

240-00-029	H2000 Pilot Display	\$1,159.00	\$753.35
890-00-018	Hercules 2000 Pilot Display Bezel	\$69.00	\$44.85
240-00-044	Hydra 2000 Pilot Display Bezel	\$67.00	\$43.55
240-00-073	HS 2000 Pilot Display Bezel	\$67.00	\$43.55

DISPATCH KIT

240-10-046	H-Range Pilot Customer Dispatch Kit	\$51.00	\$33.15
------------	-------------------------------------	---------	---------

PILOT PROCESSORS

BGH171001	H2000 ACP1 Pilot Processor (12/24v 25A)	\$1,499.00	\$974.35
BGH171002	H2000 ACP2 Pilot Processor (12/24v 40A)	\$2,899.00	\$1,884.35
360-00-003	Hydra Pilot Processor ACP1 (Replacement Only)	\$1,500.00	\$975.00
545-00-035	Hydra Pilot Processor ACP2 (Replacement Only)	\$2,330.00	\$1,514.50

CABLE

135-0A-136	Pump Power Supply Cable 10m - 2.5mm2, 2-core	\$52.00	\$33.80
135-0C-096	Solenoid Cable, RAM 9m	\$28.00	\$18.20
135-0A-143	Ram Power Supply Cable 9m - 4.0mm2, 2-core	\$175.00	\$113.75
135-0B-143	Ram Power Supply Cable 15m - 4.0mm2, 2-core	\$175.00	\$113.75

RAM DRIVES AND SPARES

RAM-SPRS-T1	Spares Kit for RAM-T1-12V, RAM-T2-12V, RAM-T2-24V	\$375.00	\$243.75
RAM-SPRS-T3	Spares Kit for RAM-T3-24V	\$475.00	\$308.75
445-00-030	Quick Release Pin, RAM A/J (Non-Stainless Rose Joint)	\$36.00	\$23.40
545-00-101	Drag Link Assembly Pack	\$35.00	\$22.75

RAM-T0-12V	Hydraulic Ram - Size 0, 12V	\$1,600.00	\$1,040.00
RAM-T1-12V/AJ	Hydraulic Ram - Size 1, 12V	\$1,800.00	\$1,170.00
RAM-T2-12V/AJ	Hydraulic Ram - Size 2, 12V	\$2,100.00	\$1,365.00
RAM-T2-24V	Hydraulic Ram - Size 2, 24V	\$2,100.00	\$1,365.00
RAM-T3-24V	Hydraulic Ram - Size 3, 24V	\$2,500.00	\$1,625.00
RAM-T4-24V	Hydraulic Twin Ram Constant Running System - Size 4, 24V	\$8,400.00	\$5,460.00

PUMP DRIVES AND SPARES

PMP-SPRS-T1	Spares Kit for PMP-T1-12V, PMP-T2-12V	\$140.00	\$91.00
PMP-SPRS-T3	Spares Kit for PMP-T3-24V	\$140.00	\$91.00
345-00-076	Thread Adapter Kit, Pump	\$30.00	\$19.50

PMP-T1-12V	Hydraulic Pump - Size 1, 12V	\$900.00	\$585.00
PMP-T2-12V	Hydraulic Pump - Size 2, 12V	\$990.00	\$643.50
PMP-T2-24V	Hydraulic Pump - Size 2, 24V	\$990.00	\$643.50
PMP-T3-24V	Hydraulic Pump - Size 3, 24V	\$1,435.00	\$932.75

MOTOR SPARS

MOTOR-SPARE-1	Replacement motor for RAM-T1-12V, RAM-T2-12V	\$500.00	\$325.00
MOTOR-SPARE-2	Replacement motor for PMP-T1-12V, PMP-T2-12V	\$500.00	\$325.00
MOTOR-SPARE-3	Replacement motor for PMP-T3-24V, RAM-T3-24V	\$900.00	\$585.00

COMPASS

BGH060002	Gyro Compass. Sensor Only	\$2,199.00	\$1,429.35
BGH061001	Halycon Gyro Processor Only	\$1,250.00	\$812.50
BGH060003	Processor Pack, Halycon with Cable	\$1,500.00	\$975.00
BGH063001	Halycon Gyro Interfce Cable	\$250.00	\$162.50
486-00-009	Halycon 2000 Compass	\$879.00	\$571.35
486-0A-004	Halcyon 2000 Compass Cable 2m	\$55.00	\$35.75
486-0B-004	Halcyon 2000 Compass Cable 4m	\$83.00	\$53.95