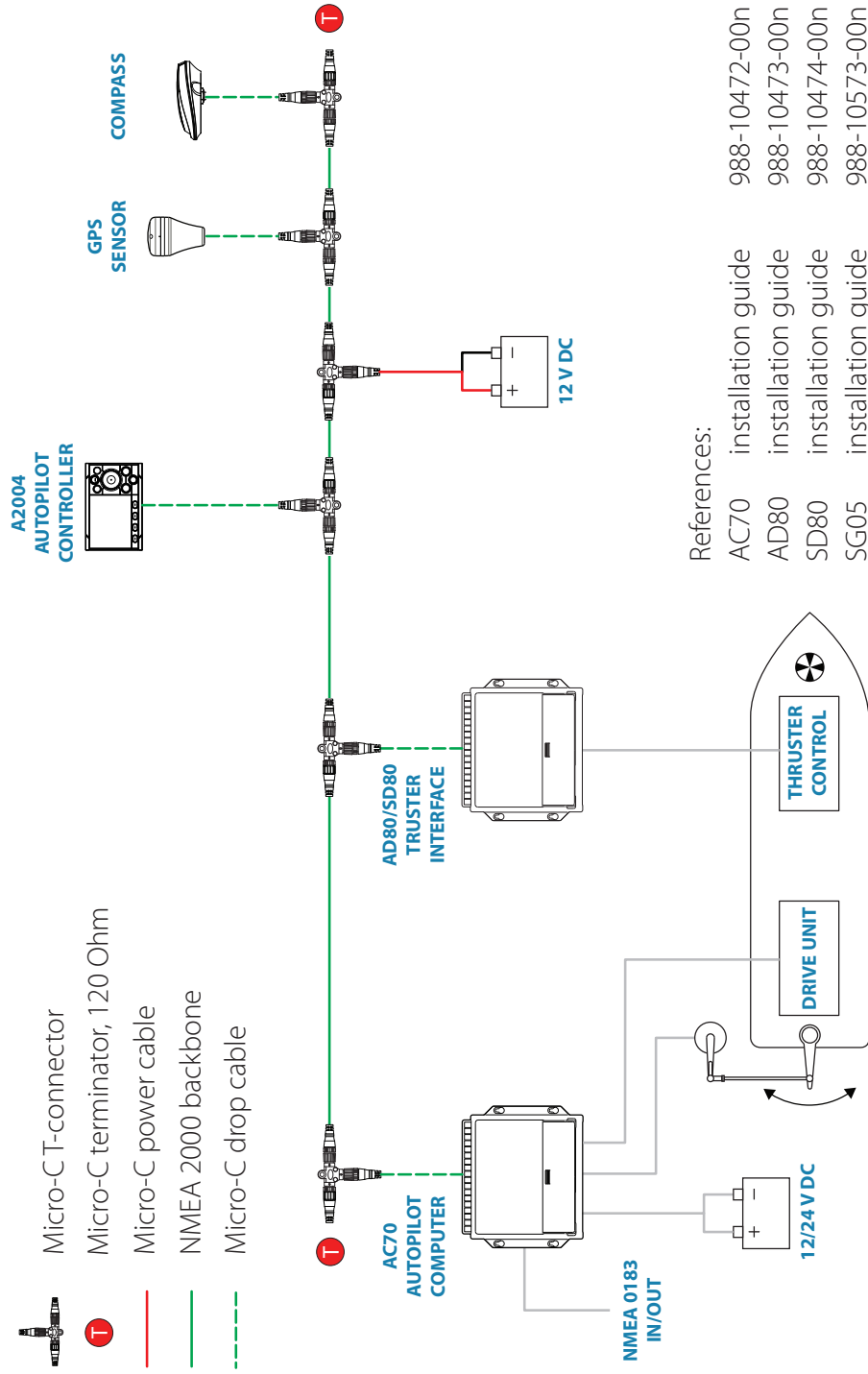
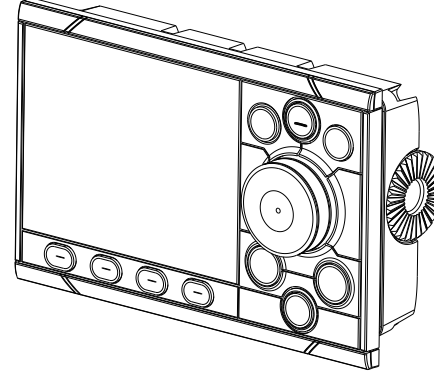


System wiring example



SIMRAD

A2004 INSTALLATION GUIDE



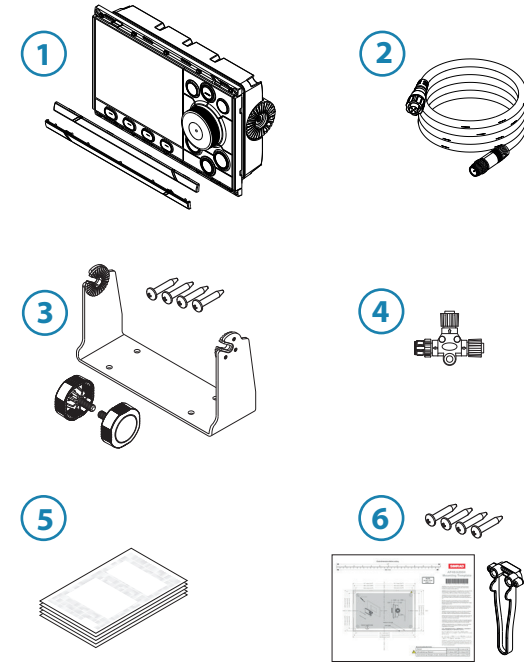
For product manuals, technical specifications, certificates and declarations refer to the product website:

www.navico.com/commercial

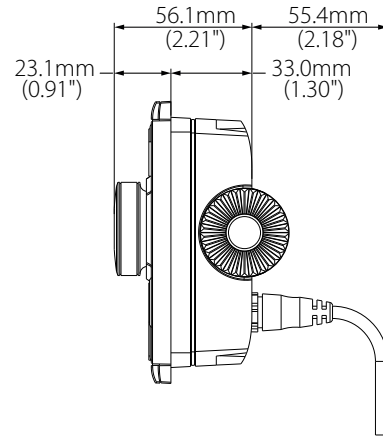
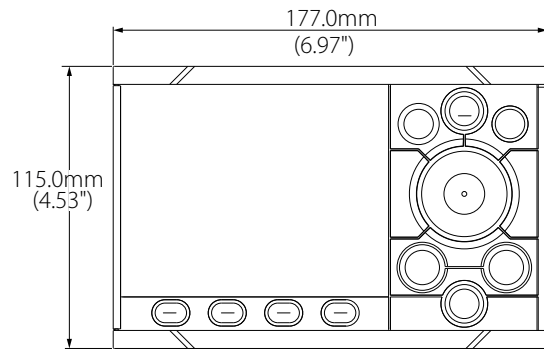


Parts

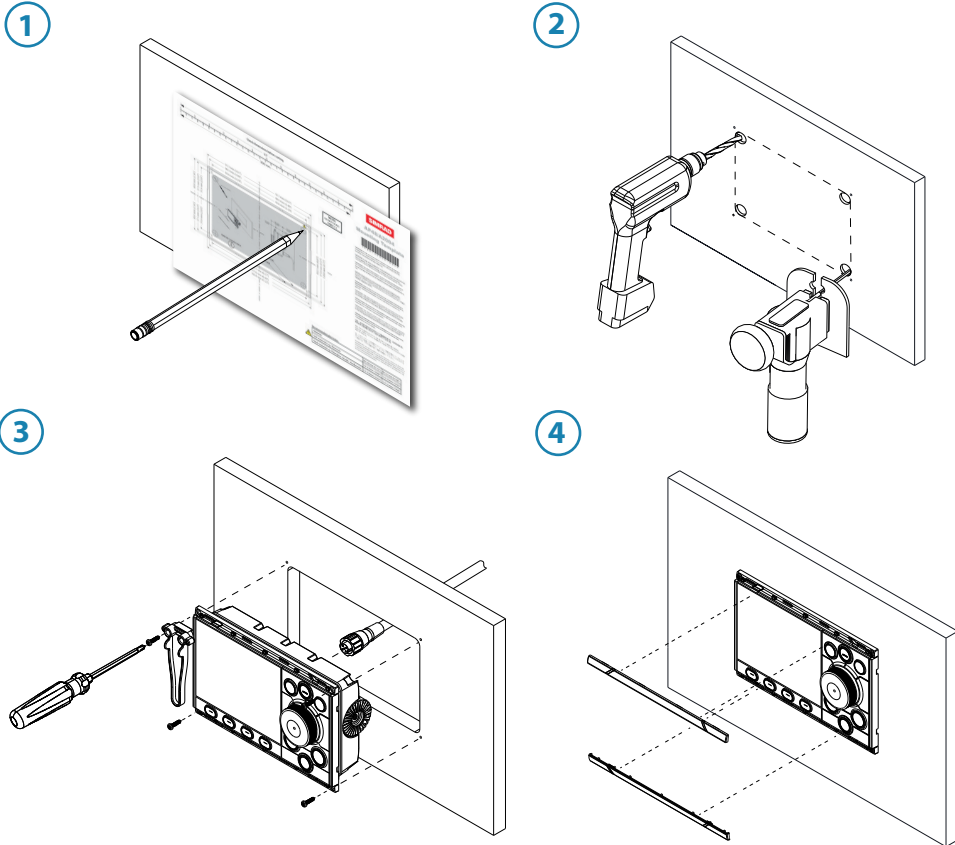
1. Display unit and removable bezels
2. Micro-C drop cable - 4.5 m (15')
3. U-bracket kit
4. Micro-C T-connector
5. Documentation pack
6. Panel mounting kit



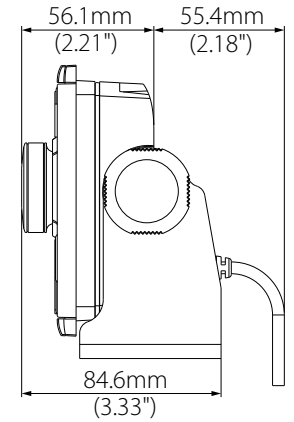
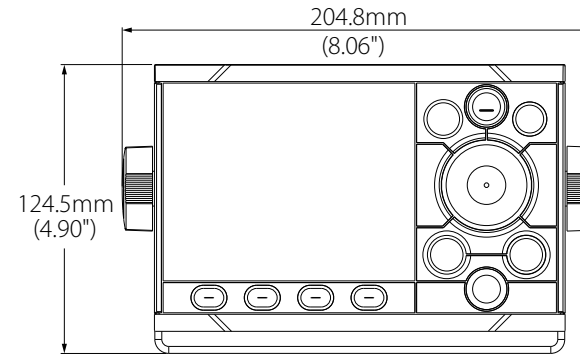
Dimensions without bracket



Mounting



Dimensions with bracket



Mounting

