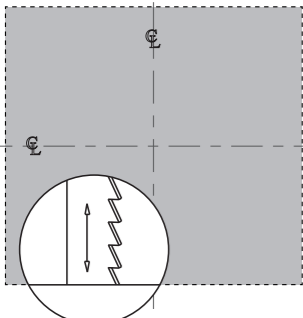
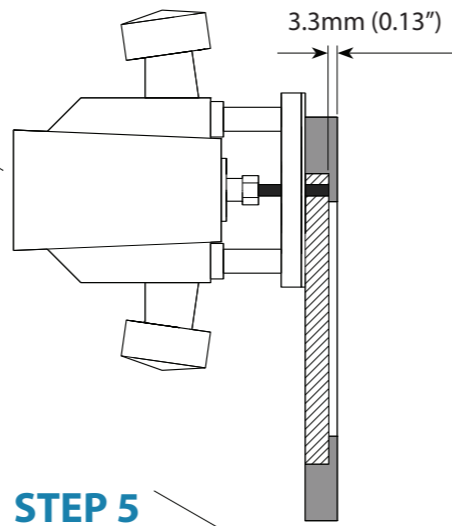
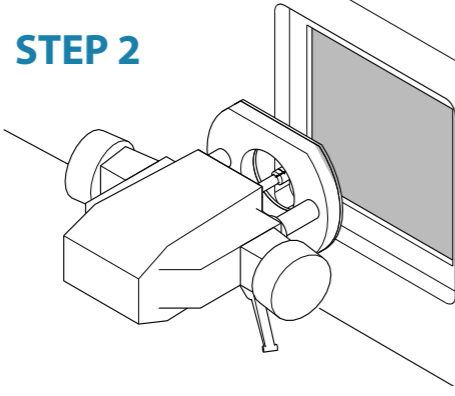


Installation

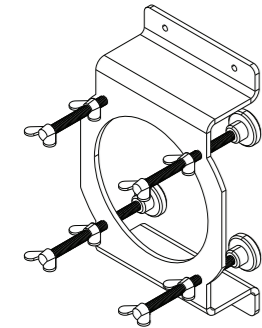
STEP 1



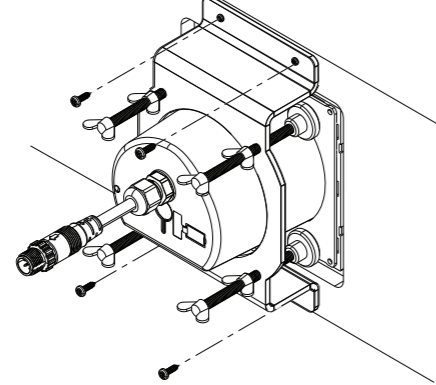
STEP 2



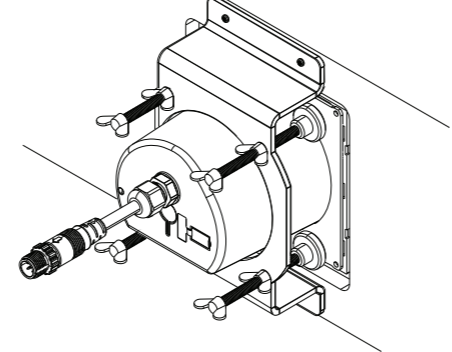
STEP 3



STEP 4




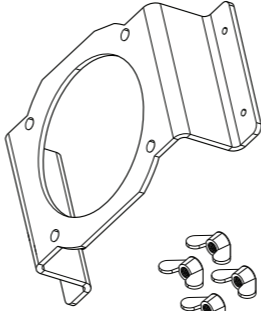
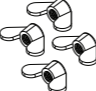
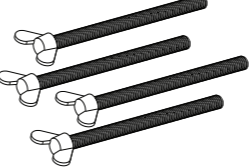
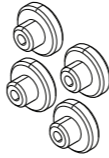
STEP 5



Check dimensions before cutting



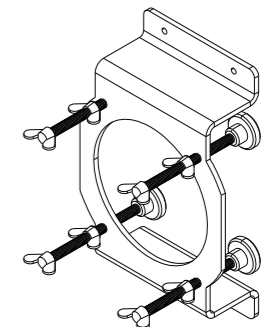
Supplied parts

-  4 x #4 self tapping screws
-  1 x Mounting clamp
-  4 x Wing nuts
-  4 x Bolts
-  4 x Bolt pads



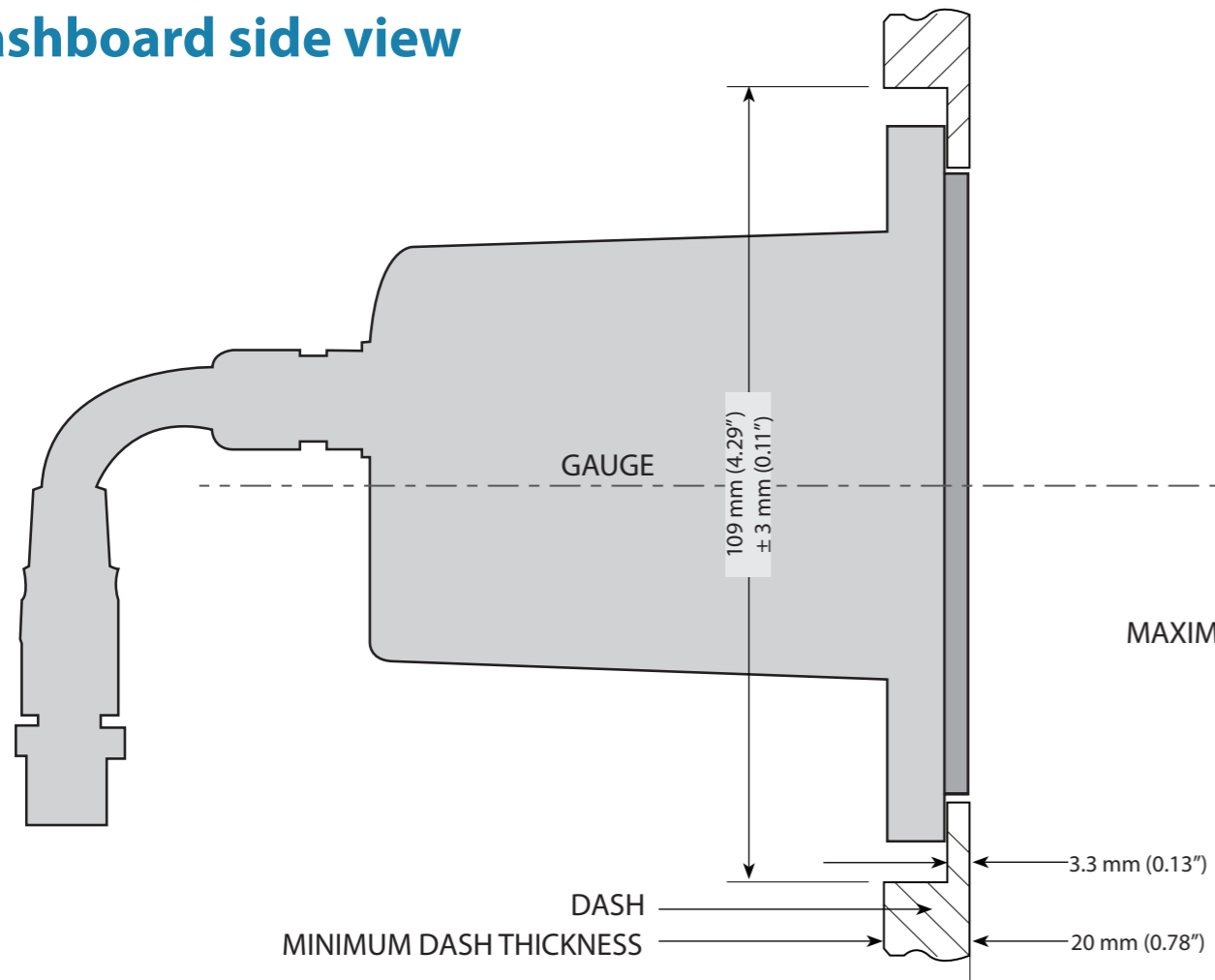
IS35 Color Gauge
Rear mounting clamp
Installation guide

ENGLISH



www.simrad-yachting.com

Dashboard side view



Cutting guide

